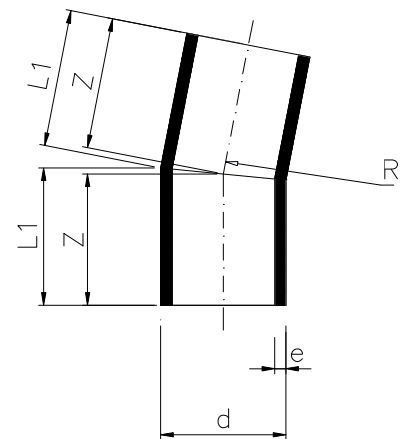
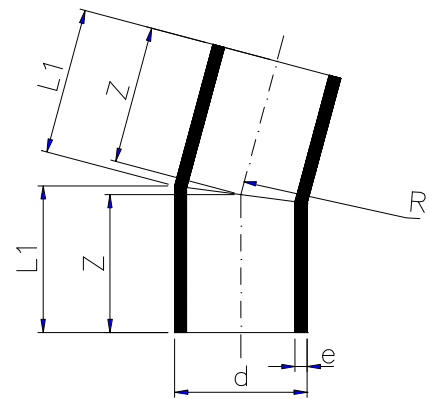


| | |
|--|---|
| PE - PRESSION | |
| PE - DRUCKROHRE | |
| | |
| Coudes soudés par segments | 11° |
| <i>Bogen segmentgeschweisst</i> | 11° |
| | |
| Matière / Material | PE 100 |
| SDR (Série / Serie) | SDR 17 (S-8) SDR 11 (S-5) SDR 7.4 (S-3.2) |



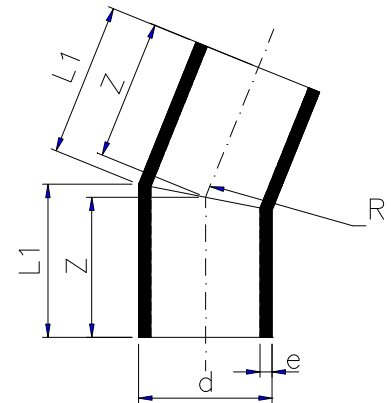
| | | d mm | R mm | Z mm | L1 mm | SDR 17 (S-8) e mm | SDR 11 (S-5) e mm | SDR 7.4 (S-3.2) e mm |
|--|--|---------|---------|---------|----------|----------------------------|----------------------------|-------------------------------|
| | | 63 | 32 | 150 | 153 | 3.8 | 5.8 | 8.6 |
| | | 75 | 38 | 150 | 154 | 4.5 | 6.8 | 10.3 |
| | | 90 | 45 | 150 | 154 | 5.4 | 8.2 | 12.3 |
| | | 110 | 55 | 150 | 155 | 6.6 | 10.0 | 15.1 |
| | | 125 | 63 | 150 | 156 | 7.4 | 11.4 | 17.1 |
| | | 140 | 70 | 160 | 167 | 8.3 | 12.7 | 19.2 |
| | | 160 | 80 | 160 | 168 | 9.5 | 14.6 | 21.9 |
| | | 180 | 90 | 160 | 169 | 10.7 | 16.4 | 24.6 |
| | | 200 | 100 | 210 | 220 | 11.9 | 18.2 | 27.3 |
| | | 225 | 113 | 210 | 221 | 13.4 | 20.5 | 30.8 |
| | | 250 | 125 | 220 | 232 | 14.8 | 22.7 | 34.2 |
| | | 280 | 140 | 241 | 254 | 16.6 | 25.4 | |
| | | 315 | 158 | 260 | 275 | 18.7 | 28.6 | |
| | | 355 | 178 | 400 | 417 | 21.1 | 32.2 | |
| | | 400 | 200 | 600 | 619 | 23.7 | 36.3 | |
| | | | | | | | | |

| | |
|--|---|
| PE - PRESSION | |
| PE - DRUCKROHRE | |
| | |
| Coudes soudés par segments | 15° |
| <i>Bogen segmentgeschweisst</i> | 15° |
| | |
| Matière / Material | PE 100 |
| SDR (Série / Serie) | SDR 17 (S-8) SDR 11 (S-5) SDR 7.4 (S-3.2) |



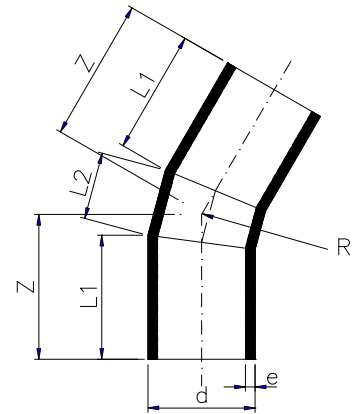
| | | d mm | R mm | Z mm | L1 mm | SDR 17 (S-8) e mm | SDR 11 (S-5) e mm | SDR 7.4 (S-3.2) e mm |
|--|--|---------|---------|---------|----------|----------------------------|----------------------------|-------------------------------|
| | | 63 | 32 | 150 | 154 | 3.8 | 5.8 | 8.6 |
| | | 75 | 38 | 150 | 155 | 4.5 | 6.8 | 10.3 |
| | | 90 | 45 | 150 | 156 | 5.4 | 8.2 | 12.3 |
| | | 110 | 55 | 150 | 157 | 6.6 | 10.0 | 15.1 |
| | | 125 | 63 | 150 | 158 | 7.4 | 11.4 | 17.1 |
| | | 140 | 70 | 160 | 169 | 8.3 | 12.7 | 19.2 |
| | | 160 | 80 | 160 | 171 | 9.5 | 14.6 | 21.9 |
| | | 180 | 90 | 160 | 172 | 10.7 | 16.4 | 24.6 |
| | | 200 | 100 | 210 | 223 | 11.9 | 18.2 | 27.3 |
| | | 225 | 113 | 210 | 225 | 13.4 | 20.5 | 30.8 |
| | | 250 | 125 | 220 | 236 | 14.8 | 22.7 | 34.2 |
| | | 280 | 140 | 240 | 258 | 16.6 | 25.4 | |
| | | 315 | 158 | 260 | 281 | 18.7 | 28.6 | |
| | | 355 | 178 | 400 | 423 | 21.1 | 32.2 | |
| | | 400 | 200 | 600 | 626 | 23.7 | 36.3 | |
| | | | | | | | | |

| | |
|--|---|
| PE - PRESSION | |
| PE - DRUCKROHRE | |
| | |
| Coudes soudés par segments | 22° |
| <i>Bogen segmentgeschweisst</i> | 22° |
| | |
| Matière / Material | PE 100 |
| SDR (Série / Serie) | SDR 17 (S-8) SDR 11 (S-5) SDR 7.4 (S-3.2) |



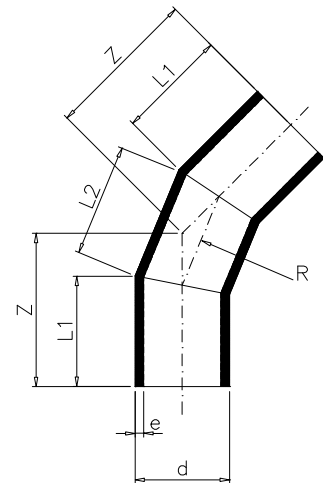
| | | d mm | R mm | Z mm | L1 mm | SDR 17 (S-8) e mm | SDR 11 (S-5) e mm | SDR 7.4 (S-3.2) e mm |
|--|--|---------|---------|---------|----------|----------------------------|----------------------------|-------------------------------|
| | | 63 | 32 | 150 | 156 | 3.8 | 5.8 | 5.8 |
| | | 75 | 38 | 150 | 157 | 4.5 | 6.8 | 6.8 |
| | | 90 | 45 | 150 | 159 | 5.4 | 8.2 | 8.2 |
| | | 110 | 55 | 150 | 161 | 6.6 | 10.0 | 10.0 |
| | | 125 | 63 | 150 | 162 | 7.4 | 11.4 | 11.4 |
| | | 140 | 70 | 160 | 174 | 8.3 | 12.7 | 12.7 |
| | | 160 | 80 | 160 | 176 | 9.5 | 14.6 | 14.6 |
| | | 180 | 90 | 160 | 177 | 10.7 | 16.4 | 16.4 |
| | | 200 | 100 | 210 | 229 | 11.9 | 18.2 | 18.2 |
| | | 225 | 113 | 210 | 232 | 13.4 | 20.5 | 20.5 |
| | | 250 | 125 | 220 | 244 | 14.8 | 22.7 | 22.7 |
| | | 280 | 140 | 240 | 267 | 16.6 | 25.4 | 25.4 |
| | | 315 | 158 | 260 | 291 | 18.7 | 28.6 | 28.6 |
| | | 355 | 178 | 400 | 435 | 21.1 | 32.2 | 32.3 |
| | | 400 | 200 | 587 | 626 | 23.7 | 36.3 | 36.4 |
| | | | | | | | | |

| | |
|--|---|
| PE - PRESSION | |
| PE - DRUCKROHRE | |
| | |
| Coudes soudés par segments | 30° |
| <i>Bogen segmentgeschweisst</i> | 30° |
| | |
| Matière / Material | PE 100 |
| SDR (Série / Serie) | SDR 17 (S-8) SDR 11 (S-5) SDR 7.4 (S-3.2) |



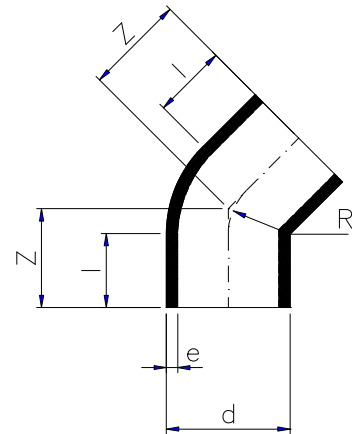
| | d mm | R mm | Z mm | L1 mm | L2 mm | SDR 17 (S-8) e mm | SDR 11 (S-5) e mm | SDR 7.4 (S-3.2) e mm |
|--|---------|---------|---------|----------|----------|----------------------------|----------------------------|-------------------------------|
| | 63 | 385 | 202 | 154 | 110 | 3.8 | 5.8 | 8.6 |
| | 75 | 380 | 202 | 155 | 110 | 4.5 | 6.8 | 10.3 |
| | 90 | 336 | 196 | 156 | 100 | 5.4 | 8.2 | 12.3 |
| | 110 | 364 | 199 | 157 | 110 | 6.6 | 10.0 | 15.1 |
| | 125 | 375 | 201 | 158 | 115 | 7.4 | 11.4 | 17.1 |
| | 140 | 385 | 212 | 169 | 120 | 8.3 | 12.7 | 19.2 |
| | 160 | 434 | 220 | 171 | 135 | 9.5 | 14.6 | 21.9 |
| | 180 | 460 | 223 | 172 | 145 | 10.7 | 16.4 | 24.6 |
| | 200 | 508 | 279 | 223 | 160 | 11.9 | 18.2 | 27.3 |
| | 225 | 552 | 285 | 225 | 175 | 13.4 | 20.5 | 30.8 |
| | 250 | 578 | 298 | 236 | 185 | 14.8 | 22.7 | 34.2 |
| | 280 | 600 | 321 | 258 | 195 | 16.6 | 25.4 | |
| | 315 | 678 | 353 | 281 | 220 | 18.7 | 28.6 | |
| | 355 | 658 | 489 | 423 | 250 | 21.1 | 32.2 | |
| | 400 | 636 | 686 | 626 | 260 | 23.7 | 36.3 | |
| | | | | | | | | |

| | |
|--|---|
| PE - PRESSION | |
| PE - DRUCKROHRE | |
| | |
| Coudes soudés par segments | 45° |
| <i>Bogen segmentgeschweisst</i> | 45° |
| | |
| Matière / Material | PE 100 |
| SDR (Série / Serie) | SDR 17 (S-8) SDR 11 (S-5) SDR 7.4 (S-3.2) |



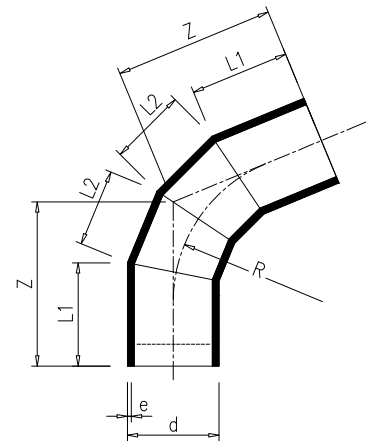
| | d mm | R mm | Z mm | L1 mm | L2 mm | SDR 17 (S-8) e mm | SDR 11 (S-5) e mm | SDR 7.4 (S-3.2) e mm |
|--|---------|---------|---------|----------|----------|----------------------------|----------------------------|-------------------------------|
| | 63 | 244 | 200 | 154 | 110 | 3.8 | 5.8 | 8.6 |
| | 75 | 238 | 199 | 155 | 110 | 4.5 | 6.8 | 10.3 |
| | 90 | 206 | 194 | 159 | 100 | 5.4 | 8.2 | 12.3 |
| | 110 | 210 | 195 | 161 | 105 | 6.6 | 10.0 | 15.1 |
| | 125 | 226 | 198 | 162 | 115 | 7.4 | 11.4 | 17.1 |
| | 140 | 245 | 213 | 174 | 125 | 8.3 | 12.7 | 19.2 |
| | 160 | 260 | 216 | 176 | 135 | 9.5 | 14.6 | 21.9 |
| | 180 | 275 | 219 | 178 | 145 | 10.7 | 16.4 | 24.6 |
| | 200 | 300 | 275 | 230 | 159 | 11.9 | 18.2 | 27.3 |
| | 225 | 338 | 282 | 232 | 179 | 13.4 | 20.5 | 30.8 |
| | 250 | 375 | 301 | 245 | 199 | 14.8 | 22.7 | 34.2 |
| | 280 | 420 | 331 | 268 | 223 | 16.6 | 25.4 | |
| | 315 | 473 | 361 | 291 | 251 | 18.7 | 28.6 | |
| | 355 | 533 | 514 | 435 | 282 | 21.1 | 32.2 | |
| | 400 | 600 | 729 | 640 | 318 | 23.7 | 36.3 | |
| | | | | | | | | |

| | |
|-----------------------------|------------------------------|
| PE - PRESSION | |
| PE - DRUCKROHRE | |
| | |
| Coudes | 45° |
| <i>Bogen</i> | 45° |
| | |
| Matière / <i>Material</i> | PE 100 |
| SDR (Série / <i>Serie</i>) | SDR 17 (S-8) SDR 11 (S-5) |
| Rayon / <i>Radius</i> | 0.5 d |



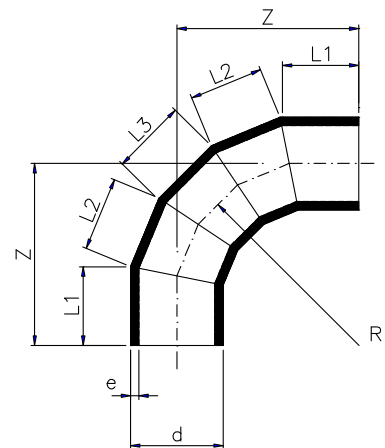
| | | | d mm | R mm | Z mm | l mm | SDR 17 (S-8) e mm | SDR 11 (S-5) e mm |
|--|--|--|---------|---------|---------|---------|----------------------------|----------------------------|
| | | | 32 | 16 | 55 | 45 | | 3.0 |
| | | | 40 | 20 | 60 | 50 | | 3.7 |
| | | | 50 | 25 | 70 | 55 | | 4.6 |
| | | | 63 | 32 | 80 | 60 | | 5.8 |
| | | | 75 | 38 | 90 | 70 | | 6.9 |
| | | | 90 | 45 | 100 | 80 | 5.4 | 8.2 |
| | | | 110 | 55 | 105 | 80 | 6.6 | 10.0 |
| | | | 125 | 63 | 130 | 100 | 7.4 | 11.4 |
| | | | 160 | 80 | 135 | 115 | 9.5 | 14.6 |
| | | | 180 | 90 | 175 | 130 | 10.7 | 16.4 |
| | | | 200 | 100 | 160 | 120 | 11.9 | 18.2 |
| | | | 225 | 113 | 180 | 125 | 13.4 | 20.5 |
| | | | 250 | 125 | 215 | 150 | 14.2 | 22.8 |
| | | | 280 | 140 | 240 | 170 | 15.8 | 25.5 |
| | | | 315 | 158 | 260 | 180 | 17.8 | 28.7 |
| | | | | | | | | |

| | |
|--|---|
| PE - PRESSION | |
| PE - DRUCKROHRE | |
| | |
| Coudes soudés par segments | 60° |
| <i>Bogen segmentgeschweisst</i> | 60° |
| | |
| Matière / Material | PE 100 |
| SDR (Série / Serie) | SDR 17 (S-8) SDR 11 (S-5) SDR 7.4 (S-3.2) |



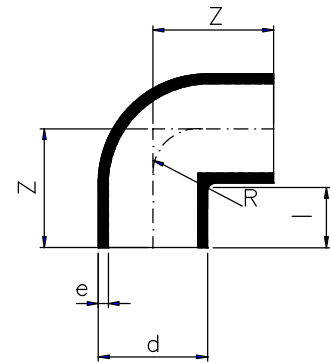
| | d mm | R mm | Z mm | L1 mm | L2 mm | SDR 17 (S-8) e mm | SDR 11 (S-5) e mm | SDR 7.4 (S-3.2) e mm |
|--|---------|---------|---------|----------|----------|----------------------------|----------------------------|-------------------------------|
| | 63 | 280 | 261 | 154 | 110 | 3.8 | 5.8 | 8.6 |
| | 75 | 274 | 258 | 155 | 110 | 4.5 | 6.8 | 10.3 |
| | 90 | 239 | 247 | 159 | 100 | 5.4 | 8.2 | 12.3 |
| | 110 | 243 | 249 | 161 | 105 | 6.6 | 10.0 | 15.1 |
| | 125 | 264 | 257 | 162 | 115 | 7.4 | 11.4 | 17.1 |
| | 140 | 284 | 278 | 174 | 125 | 8.3 | 12.7 | 19.2 |
| | 160 | 303 | 283 | 176 | 135 | 9.5 | 14.6 | 21.9 |
| | 180 | 321 | 291 | 178 | 145 | 10.7 | 16.4 | 24.6 |
| | 200 | 351 | 353 | 230 | 159 | 11.9 | 18.2 | 27.3 |
| | 225 | 395 | 371 | 232 | 179 | 13.4 | 20.5 | 30.8 |
| | 250 | 439 | 399 | 245 | 199 | 14.8 | 22.7 | 34.2 |
| | 280 | 492 | 441 | 268 | 223 | 16.6 | 25.4 | |
| | 315 | 554 | 485 | 291 | 251 | 18.7 | 28.6 | |
| | 355 | 622 | 653 | 435 | 282 | 21.1 | 32.2 | |
| | 400 | 702 | 886 | 640 | 318 | 23.7 | 36.3 | |
| | | | | | | | | |

| | |
|--|---|
| PE - PRESSION | |
| PE - DRUCKROHRE | |
| | |
| Coudes soudés par segments | 90° |
| <i>Bogen segmentgeschweisst</i> | 90° |
| | |
| Matière / Material | PE 100 |
| SDR (Série / Serie) | SDR 17 (S-8) SDR 11 (S-5) SDR 7.4 (S-3.2) |



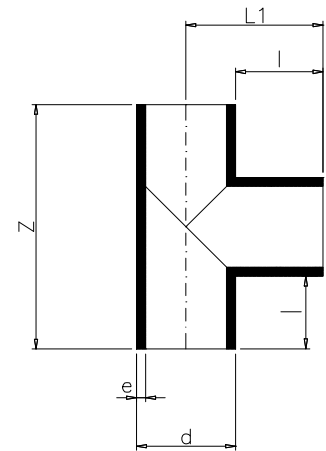
| d mm | R mm | Z mm | L1 mm | L2 mm | L3 mm | SDR 17 (S-8) e mm | SDR 11 (S-5) e mm | SDR 7.4 (S-3.2) e mm |
|---------|---------|---------|----------|----------|----------|----------------------------|----------------------------|-------------------------------|
| 63 | 244 | 343 | 154 | 110 | 110 | 3.8 | 5.8 | 8.6 |
| 75 | 238 | 338 | 155 | 110 | 110 | 4.5 | 6.8 | 10.3 |
| 90 | 206 | 315 | 159 | 100 | 100 | 5.4 | 8.2 | 12.3 |
| 110 | 210 | 318 | 161 | 105 | 105 | 6.6 | 10.0 | 15.1 |
| 125 | 226 | 331 | 162 | 115 | 115 | 7.4 | 11.4 | 17.1 |
| 140 | 245 | 356 | 174 | 125 | 125 | 8.3 | 12.7 | 19.2 |
| 160 | 260 | 368 | 176 | 135 | 135 | 9.5 | 14.6 | 21.9 |
| 180 | 275 | 380 | 178 | 145 | 145 | 10.7 | 16.4 | 24.6 |
| 200 | 300 | 450 | 230 | 159 | 159 | 11.9 | 18.2 | 27.3 |
| 225 | 338 | 480 | 232 | 179 | 179 | 13.4 | 20.5 | 30.8 |
| 250 | 375 | 521 | 245 | 199 | 199 | 14.8 | 22.7 | 34.2 |
| 280 | 420 | 577 | 268 | 223 | 223 | 16.6 | 25.4 | |
| 315 | 473 | 638 | 291 | 251 | 251 | 18.7 | 28.6 | |
| 355 | 533 | 826 | 435 | 282 | 282 | 21.1 | 32.2 | |
| 400 | 600 | 1081 | 640 | 318 | 318 | 23.7 | 36.3 | |
| | | | | | | | | |

| | |
|------------------------|------------------------------|
| PE - PRESSION | |
| PE - DRUCKROHRE | |
| | |
| Coudes | 90° |
| Bogen | 90° |
| | |
| Matière / Material | PE 100 |
| SDR (Série / Serie) | SDR 17 (S-8) SDR 11 (S-5) |
| Rayon / Radius | 0.5 d |



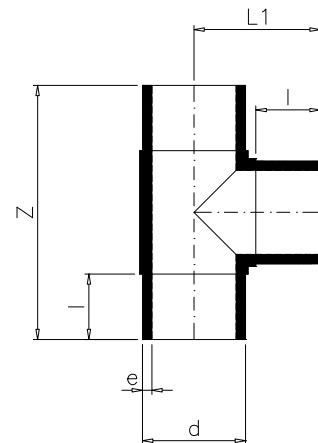
| | | | d mm | R mm | Z mm | l mm | SDR 17 (S-8) e mm | SDR 11 (S-5) e mm |
|--|--|--|---------|---------|---------|---------|----------------------------|----------------------------|
| | | | 20 | 10 | 70 | 60 | | 3.0 |
| | | | 25 | 12.5 | 80 | 65 | | 3.0 |
| | | | 32 | 16 | 95 | 75 | | 3.0 |
| | | | 40 | 20 | 105 | 80 | | 3.7 |
| | | | 50 | 25 | 120 | 90 | | 4.6 |
| | | | 63 | 31.5 | 135 | 100 | | 5.8 |
| | | | 75 | 37.5 | 110 | 75 | | 6.9 |
| | | | 90 | 45 | 130 | 80 | 5.4 | 8.2 |
| | | | 110 | 55 | 150 | 90 | 6.6 | 10.0 |
| | | | 125 | 62.5 | 165 | 100 | 7.4 | 11.4 |
| | | | 140 | 70 | | | 8.3 | 12.7 |
| | | | 160 | 80 | 190 | 105 | 9.5 | 14.6 |
| | | | 180 | 90 | 225 | 130 | 10.7 | 16.4 |
| | | | 200 | 100 | 225 | 115 | 11.9 | 18.2 |
| | | | 225 | 112.5 | 225 | 120 | 13.4 | 20.5 |
| | | | 250 | 125 | 305 | 180 | 14.2 | 22.8 |
| | | | 280 | 140 | 342 | 202 | 15.9 | 25.5 |
| | | | 315 | 157.5 | 372 | 212 | 17.9 | 28.7 |

| | |
|---|---|
| PE - PRESSION | |
| PE - DRUCKROHRE | |
| | |
| Tés égaux confectionnés en atelier | |
| <i>T-Stücke egal handgefertigt</i> | |
| | |
| Matière / Material | PE 100 |
| SDR (Série / Serie) | SDR 17 (S-8) SDR 11 (S-5) SDR 7.4 (S-3.2) |



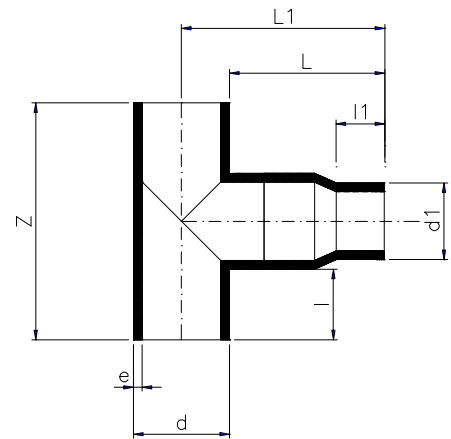
| | | d mm | Z mm | l mm | L1 mm | SDR 17 (S-8) e mm | SDR 11 (S-5) e mm | SDR 7.4 (S-3.2) e mm |
|--|--|---------|---------|---------|----------|----------------------------|----------------------------|-------------------------------|
| | | 20 | 320 | 150 | 160 | | 3.0 | |
| | | 25 | 325 | 150 | 162 | | 3.0 | 3.5 |
| | | 32 | 332 | 150 | 166 | | 3.0 | 4.4 |
| | | 40 | 340 | 150 | 170 | | 3.7 | 5.5 |
| | | 50 | 350 | 150 | 175 | | 4.6 | 6.9 |
| | | 63 | 363 | 150 | 182 | 3.8 | 5.8 | 8.6 |
| | | 75 | 375 | 150 | 188 | 4.5 | 6.8 | 10.3 |
| | | 90 | 390 | 150 | 195 | 5.4 | 8.2 | 12.3 |
| | | 110 | 410 | 150 | 205 | 6.6 | 10.0 | 15.1 |
| | | 125 | 425 | 150 | 213 | 7.4 | 11.4 | 17.1 |
| | | 160 | 520 | 180 | 260 | 9.5 | 12.7 | 21.9 |
| | | 180 | 540 | 180 | 270 | 10.7 | 14.6 | 24.6 |
| | | 200 | 600 | 200 | 300 | 11.9 | 16.4 | 27.3 |
| | | 225 | 625 | 200 | 313 | 13.4 | 18.2 | |
| | | 250 | 650 | 200 | 325 | 14.8 | 22.7 | |
| | | 315 | 755 | 220.5 | 378 | 18.7 | 28.6 | |
| | | 355 | 915 | 280 | 457.5 | 21.1 | 32.2 | |
| | | 400 | 960 | 280 | 480 | 23.7 | 36.3 | |

| | |
|---------------------------------------|------------------------------|
| PE - PRESSION | |
| PE - DRUCKROHRE | |
| | |
| Tés égaux injectés | |
| <i>T-Stücke egal gespritzt</i> | |
| | |
| Matière / Material | PE 100 |
| SDR (Série / Serie) | SDR 17 (S-8) SDR 11 (S-5) |



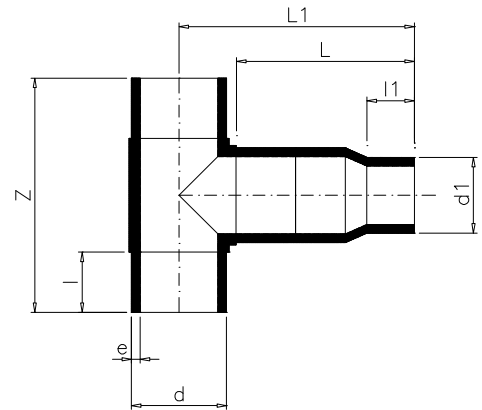
| | | | d mm | Z mm | l mm | L1 mm | SDR 17 (S-8) e mm | SDR 11 (S-5) e mm |
|--|--|--|---------|---------|---------|----------|----------------------------|----------------------------|
| | | | 20 | 150 | 52 | 75 | | 3.0 |
| | | | 25 | 160 | 52 | 80 | | 3.0 |
| | | | 32 | 170 | 54 | 85 | | 3.0 |
| | | | 40 | 190 | 57 | 95 | | 3.7 |
| | | | 50 | 210 | 63 | 105 | | 4.6 |
| | | | 63 | 230 | 65 | 115 | | 5.8 |
| | | | 75 | 264 | 72 | 132 | | 6.8 |
| | | | 90 | 300 | 81 | 150 | 5.4 | 8.2 |
| | | | 110 | 330 | 86 | 165 | 6.6 | 10.0 |
| | | | 125 | 366 | 92 | 183 | 7.4 | 11.4 |
| | | | 160 | 420 | 102 | 210 | 9.5 | 12.7 |
| | | | 180 | 460 | 107 | 230 | 10.7 | 14.6 |
| | | | 200 | 500 | 117 | 250 | 11.9 | 16.4 |
| | | | 225 | 540 | 122 | 270 | 13.4 | 18.2 |
| | | | 250 | 622 | 148 | 310 | 14.2 | 22.7 |
| | | | 315 | 694 | 170 | 375 | 17.9 | 28.7 |
| | | | 355 | | | | | |
| | | | 400 | | | | | |

| | |
|---|---|
| PE - PRESSION | |
| PE - DRUCKROHRE | |
| | |
| Tés égaux réduits, confectionnés | |
| <i>T-Stücke reduziert</i> | |
| | |
| Matière / Material | PE 100 |
| SDR (Série / Serie) | SDR 17 (S-8) SDR 11 (S-5) SDR 7.4 (S-3.2) |



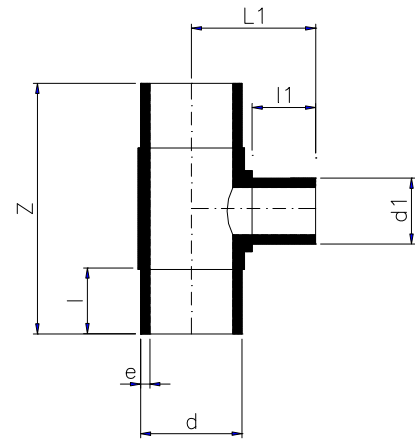
| d mm | d1 mm | Z mm | L1 mm | L mm | l mm | l1 mm | SDR 17 (S-8) e mm | SDR 11 (S-5) e mm | SDR 7.4 (S-3.2) e mm |
|---------|----------|---------|----------|---------|---------|----------|----------------------------|----------------------------|-------------------------------|
| 90 | 63 | 390 | 305 | 260 | 150 | 60 | 5.4 | 8.2 | 12.3 |
| 110 | 63 | 410 | 320 | 265 | 150 | 60 | 6.6 | 10.0 | 15.1 |
| 125 | 63 | 425 | 338 | 275 | 150 | 60 | 7.4 | 11.4 | 17.1 |
| 160 | 63 | 520 | 455 | 375 | 180 | 60 | 9.5 | 14.6 | 21.9 |
| | 110 | 520 | 410 | 330 | 180 | 85 | | | |
| | 125 | 520 | 415 | 335 | 180 | 95 | | | |
| 180 | 110 | 540 | 490 | 400 | 180 | 80 | 10.7 | 16.4 | 24.6 |
| | 125 | 540 | 435 | 345 | 180 | 95 | | | |
| | 160 | 540 | 400 | 310 | 180 | 100 | | | |
| 200 | 63 | 600 | 580 | 480 | 200 | 60 | 11.9 | 18.2 | 27.3 |
| | 110 | 600 | 535 | 435 | 200 | 85 | | | |
| | 125 | 600 | 540 | 440 | 200 | 95 | | | |
| | 160 | 600 | 465 | 365 | 200 | 100 | | | |
| 225 | 110 | 625 | 483 | 370 | 200 | 85 | 13.4 | 20.5 | 30.8 |
| | 125 | 625 | 553 | 440 | 200 | 95 | | | |
| | 160 | 625 | 478 | 365 | 200 | 100 | | | |
| | 180 | 625 | 473 | 360 | 200 | 120 | | | |
| 250 | 200 | 650 | | | 200 | | 14.8 | 22.7 | 34.2 |
| 315 | 250 | 755 | | | 220.5 | | 18.7 | 28.6 | |

| | |
|--|---|
| PE - PRESSION | |
| PE - DRUCKROHRE | |
| | |
| Tés égaux injectés + réduction inj. | |
| <i>T-Stücke reduziert</i> | |
| | |
| Matière / Material | PE 100 |
| SDR (Série / Serie) | SDR 17 (S-8) SDR 11 (S-5) SDR 7.4 (S-3.2) |



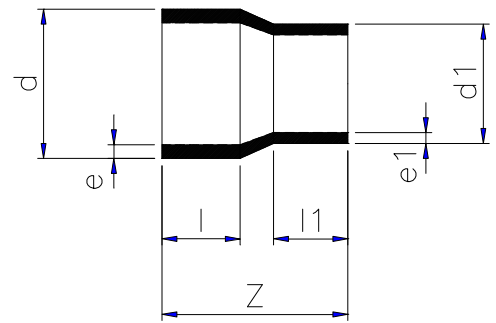
| d mm | d1 mm | Z mm | L1 mm | L mm | l mm | l1 mm | SDR 17 (S-8) e mm | SDR 11 (S-5) e mm | SDR 7.4 (S-3.2) e mm |
|---------|----------|---------|----------|---------|---------|----------|----------------------------|----------------------------|-------------------------------|
| 90 | 63 | 275 | 250 | 180 | 75 | 60 | 5.4 | | |
| 110 | 63 | 315 | 255 | 170 | 85 | 60 | 6.6 | 10.0 | 15.1 |
| 125 | 63 | 345 | 275 | 195 | 90 | 60 | 7.4 | | |
| 160 | 63 | 405 | 395 | 290 | 95 | 60 | 9.5 | 14.6 | 21.9 |
| | 110 | 405 | 350 | 245 | 95 | 85 | | | |
| | 125 | 405 | 355 | 250 | 95 | 95 | | | |
| 180 | 110 | 515 | 475 | 350 | 130 | 80 | 10.7 | 16.4 | 24.6 |
| | 125 | 515 | 420 | 295 | 130 | 95 | | | |
| | 160 | 515 | 419 | 294 | 130 | 50 | | | |
| 200 | 63 | 495 | 525 | 395 | 115 | 60 | 11.9 | 18.2 | 27.3 |
| | 110 | 495 | 480 | 350 | 115 | 85 | | | |
| | 125 | 495 | 445 | 355 | 115 | 95 | | | |
| | 160 | 495 | 410 | 280 | 115 | 100 | | | |
| 225 | 110 | 535 | 505 | 350 | 115 | 85 | 13.4 | 20.5 | 30.8 |
| | 125 | 535 | 510 | 355 | 115 | 95 | | | |
| | 160 | 535 | 435 | 280 | 115 | 100 | | | |
| | 180 | 535 | | | 115 | | | | |
| 250 | 200 | 620 | | | 145 | | 14.8 | 22.7 | 34.2 |
| 315 | 250 | 530 | | | 75 | | 18.7 | 28.6 | |

| | |
|----------------------------------|---|
| PE - PRESSION | |
| PE - DRUCKROHRE | |
| | |
| Tés réduits injectés | |
| <i>T-Stücke reduziert</i> | |
| | |
| Matière / Material | PE 100 |
| SDR (Série / Serie) | SDR 17 (S-8) SDR 11 (S-5) SDR 7.4 (S-3.2) |



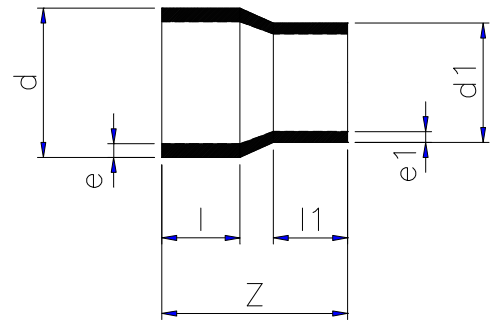
| d mm | d1 mm | Z mm | L1 mm | l mm | l1 mm | SDR 17 (S-8) e mm | SDR 11 (S-5) e mm | SDR 7.4 (S-3.2) e mm |
|---------|----------|---------|----------|---------|----------|----------------------------|----------------------------|-------------------------------|
| 90 | 63 | 203 | 95 | 53 | 31 | 5.4 | 8.2 | 12.3 |
| 110 | 63 | 233 | 107 | 65 | 31 | 6.6 | 10.0 | 15.1 |
| 125 | 63 | 265 | 112 | 70 | 31 | 7.4 | 11.4 | 17.1 |
| 160 | 63 | 316 | 132 | 85 | 32 | 9.5 | 14.6 | 21.9 |
| | 110 | 390 | 190 | 100 | 85 | | | |
| | 125 | 314 | 150 | 59 | 48 | | | |
| 180 | 110 | 350 | 150 | 102 | 43 | 10.7 | 16.4 | 24.6 |
| | 125 | 354 | 155 | 93 | 50 | | | |
| | 160 | 410 | 205 | 110 | 90 | | | |
| 200 | 63 | 385 | 150 | 145 | 32 | 11.9 | 18.2 | 27.3 |
| | 110 | 386 | 155 | 120 | 33 | | | |
| | 125 | 390 | 165 | 115 | 43 | | | |
| | 160 | 390 | 178 | 98 | 53 | | | |
| 225 | 110 | 440 | 220 | 115 | 85 | 13.4 | 20.5 | 30.8 |
| | 125 | 435 | 173 | 136 | 140 | | | |
| | 160 | 435 | 208 | 115 | 68 | | | |
| | 180 | 550 | 270 | 135 | 130 | | | |
| 250 | 200 | 500 | 225 | | | 14.8 | 22.7 | 34.2 |
| 315 | 250 | | | | | 18.7 | 28.6 | |

| | |
|------------------------------|---|
| PE - PRESSION | |
| PE - DRUCKROHRE | |
| | |
| Réductions centrées | |
| Reduktionen zentrisch | |
| | |
| Matière / Material | PE 100 |
| SDR (Série / Serie) | SDR 17 (S-8) SDR 11 (S-5) SDR 7.4 (S-3.2) |
| | |



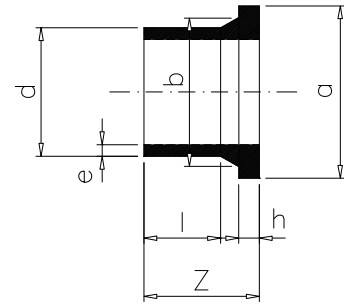
| | d mm | d1 mm | Z mm | l mm | l1 mm | SDR 17 (S-8) e1 mm | SDR 11 (S-5) e1 mm | SDR 7.4 (S-3.2) e1 mm |
|--|---------|----------|---------|---------|----------|-----------------------------|-----------------------------|--------------------------------|
| | 32 | 25 | 90 | 44 | 40 | | 2.0 | 3.5 |
| | 40 | 25 | 100 | 45 | 40 | | 2.0 | 3.5 |
| | | 32 | 100 | 45 | 40 | | 2.9 | 4.4 |
| | 50 | 32 | 120 | 55 | 45 | | 2.9 | 4.4 |
| | | 40 | 120 | 55 | 50 | 2.4 | 3.7 | 5.5 |
| | 63 | 32 | 130 | 60 | 45 | 2.0 | 2.9 | 4.4 |
| | | 40 | 130 | 60 | 50 | 2.4 | 3.7 | 5.5 |
| | | 50 | 150 | 65 | 55 | 3.0 | 4.6 | 6.9 |
| | 75 | 50 | 150 | 65 | 55 | 3.0 | 4.6 | 6.9 |
| | | 63 | 150 | 65 | 60 | 3.8 | 5.8 | 8.6 |
| | 90 | 63 | 160 | 70 | 60 | 3.8 | 5.8 | 8.6 |
| | | 75 | 160 | 75 | 60 | 4.5 | 6.8 | 10.3 |
| | 110 | 63 | 175 | 80 | 60 | 3.8 | 5.8 | 8.6 |
| | | 75 | 205 | 80 | 60 | 4.5 | 6.8 | |
| | | 90 | 175 | 80 | 75 | 5.4 | 8.2 | 12.3 |

| | |
|------------------------------|--|
| PE - PRESSION | |
| PE - DRUCKROHRE | |
| | |
| Réductions centrées | |
| Reduktionen zentrisch | |
| | |
| Matière / Material | PE 100 |
| SDR (Série / Serie) | SDR 17 (S-8) SDR 11 (S-5) SDR 7.4 (S3.2) |
| | |



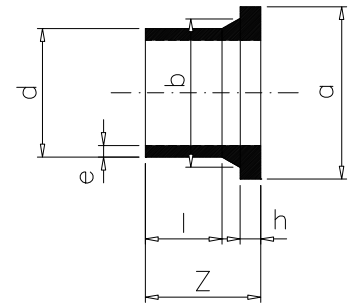
| | d mm | d1 mm | Z mm | l mm | l1 mm | SDR 17 (S-8) e1 mm | SDR 11 (S-5) e1 mm | SDR 7.4 (S-3.2) e1 mm |
|--|---------|----------|---------|---------|----------|-----------------------------|-----------------------------|--------------------------------|
| | 125 | 63 | 190 | 90 | 60 | 3.8 | 5.8 | 8.6 |
| | | 75 | 215 | 90 | 60 | 4.5 | 6.8 | 10.3 |
| | | 90 | 190 | 86 | 70 | 5.4 | 8.2 | 12.3 |
| | | 110 | 195 | 85 | 80 | 6.6 | 10.0 | 15.1 |
| | 160 | 110 | 220 | 90 | 85 | 6.6 | 10.0 | 15.1 |
| | | 125 | 230 | 95 | 95 | 7.4 | 11.4 | 17.1 |
| | 180 | 125 | 275 | 130 | 95 | 7.4 | 11.4 | 17.1 |
| | 200 | 125 | 290 | 102 | 87 | 7.4 | 11.4 | 17.1 |
| | | 160 | 250 | 105 | 100 | 9.5 | 14.6 | 21.9 |
| | 225 | 160 | 265 | 120 | 100 | 9.5 | 14.6 | 21.9 |
| | 250 | 200 | 489 | 200 | 200 | 11.9 | 18.2 | 27.3 |
| | 315 | 225 | 539 | 200 | 200 | 13.4 | 20.5 | |
| | | 250 | 490 | 200 | 200 | 14.8 | 22.7 | |
| | 355 | 315 | 1065 | 500 | 500 | 18.7 | 28.6 | |
| | 400 | 315 | 1065 | 500 | 500 | 18.7 | 28.6 | |
| | | | | | | | | |

| | |
|-------------------------|--------------|
| PE - PRESSION | |
| PE - DRUCKROHRE | |
| | |
| Collets à souder | |
| Vorschweissbünde | |
| | |
| Matière / Material | PE 100 |
| SDR (Série / Serie) | SDR 17 (S-8) |
| | |



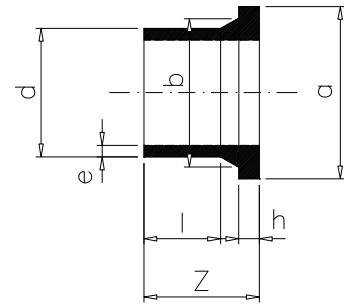
| | | d mm | SDR 17 (S-8) e mm | Z mm | l mm | h mm | a mm | b mm |
|--|--|---------|-------------------------|---------|---------|---------|---------|---------|
| | | 63 | 3.8 | 120 | 80 | 14 | 102 | 75 |
| | | 75 | 4.5 | 125 | 85 | 16 | 122 | 89 |
| | | 90 | 5.4 | 140 | 95 | 17 | 136 | 105 |
| | | 110 | 6.6 | 140 | 95 | 18 | 158 | 125 |
| | | 125 | 7.4 | 175 | 120 | 18 | 158 | 132 |
| | | 160 | 9.5 | 180 | 120 | 18 | 212 | 175 |
| | | 180 | 10.7 | 175 | 125 | 20 | 212 | 185 |
| | | 200 | 11.9 | 180 | 115 | 24 | 268 | 232 |
| | | 225 | 13.4 | 180 | 115 | 24 | 268 | 235 |
| | | 250 | 14.8 | 270 | 195 | 25 | 320 | 285 |
| | | 315 | 18.7 | 380 | 310 | 25 | 370 | 335 |
| | | | | | | | | |
| | | | | | | | | |
| | | | | | | | | |
| | | | | | | | | |

| | |
|-------------------------|--------------|
| PE - PRESSION | |
| PE - DRUCKROHRE | |
| | |
| Collets à souder | |
| <i>Vorschweissbünde</i> | |
| | |
| Matière / Material | PE 100 |
| SDR (Série / Serie) | SDR 11 (S-5) |
| | |



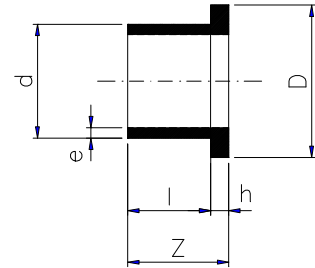
| | | d mm | SDR 11 (S-5) e mm | Z mm | l mm | h mm | a mm | b mm |
|--|--|---------|-------------------------|---------|---------|---------|---------|---------|
| | | 25 | 2.3 | 80 | 40 | 9 | 58 | 33 |
| | | 32 | 3.0 | 80 | 45 | 10 | 68 | 40 |
| | | 40 | 3.7 | 100 | 65 | 11 | 78 | 50 |
| | | 50 | 4.6 | 100 | 65 | 12 | 88 | 61 |
| | | 63 | 5.8 | 120 | 80 | 14 | 102 | 75 |
| | | 75 | 6.8 | 125 | 85 | 16 | 122 | 85 |
| | | 90 | 8.2 | 140 | 95 | 17 | 136 | 105 |
| | | 110 | 10.0 | 140 | 95 | 18 | 158 | 125 |
| | | 125 | 11.4 | 175 | 120 | 25 | 158 | 132 |
| | | 160 | 14.6 | 180 | 120 | 25 | 212 | 175 |
| | | 180 | 16.4 | 175 | 125 | 30 | 212 | 185 |
| | | 200 | 18.2 | 180 | 115 | 32 | 268 | 232 |
| | | 225 | 20.5 | 180 | 115 | 32 | 268 | 235 |
| | | 250 | 22.8 | 270 | 195 | 35 | 320 | 285 |
| | | 315 | 28.7 | 380 | 310 | -- | 370 | 335 |
| | | 355 | 32.2 | 600 | 500 | 40 | 430 | 373 |
| | | 400 | 36.3 | 600 | 500 | 46 | 482 | 427 |

| | |
|-------------------------|-----------------|
| PE - PRESSION | |
| PE - DRUCKROHRE | |
| | |
| Collets à souder | |
| Vorschweissbünde | |
| | |
| | |
| Matière / Material | PE 100 |
| SDR (Série / Serie) | SDR 7.4 (S-3.2) |
| | |
| | |



| | | d mm | SDR 7.4 (S-3.2) e mm | Z mm | l mm | h mm | a mm | b mm |
|--|--|---------|-------------------------------|---------|---------|---------|---------|---------|
| | | 32 | 4.5 | 86 | 61 | 10 | 68 | 40 |
| | | 40 | 5.6 | 101 | 61 | 11 | 78 | 50 |
| | | 50 | 6.9 | 101 | 68 | 12 | 88 | 61 |
| | | 63 | 8.7 | 121 | 78 | 16 | 102 | 75 |
| | | 75 | 10.4 | 128 | 85 | 16 | 122 | 89 |
| | | 90 | 12.5 | 143 | 95 | 17 | 138 | 105 |
| | | 110 | 15.2 | 143 | 97 | 18 | 158 | 125 |
| | | 125 | 17.3 | 184 | 122 | 25 | 158 | 132 |
| | | 160 | 22.1 | 182 | 120 | 25 | 212 | 175 |
| | | 200 | 27.6 | 181 | 122 | 32 | 268 | 232 |
| | | | | | | | | |
| | | | | | | | | |
| | | | | | | | | |
| | | | | | | | | |
| | | | | | | | | |

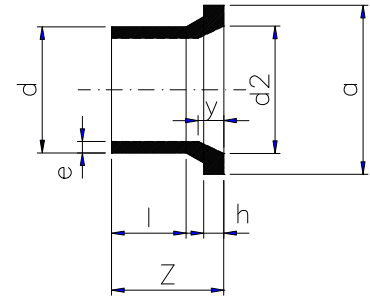
| | |
|--|------------------------------|
| PE - PRESSION | |
| PE - DRUCKROHRE | |
| | |
| Collets réduits à souder | |
| <i>Vorschweissbünde reduziert</i> | |
| | |
| Matière / Material | PE 100 |
| SDR (Série / Serie) | SDR 17 (S-8) SDR 11 (S-5) |
| | |



| | | d mm | Fonte / Guss DN mm | D mm | SDR 11 (S-5) e mm | Z mm | l mm | h mm |
|--|--|---------|-----------------------------|---------|-------------------------|---------|---------|---------|
| | | 90 | 65 | 125 | 8.2 | 135 | 118 | 17 |
| | | 110 | 80 | 140 | 10.0 | 137 | 119 | 18 |
| | | 125 | 100 | 158 | 11.4 | 180 | 155 | 25 |
| | | 160 | 125 | 188 | 14.6 | 180 | 155 | 25 |
| | | 200 | 150 | 216 | 18.2 | 180 | 148 | 32 |
| | | 225 | 200 | 271 | 20.5 | 270 | 238 | 32 |
| | | 250 | 200 | 271 | 22.7 | 270 | 235 | 35 |

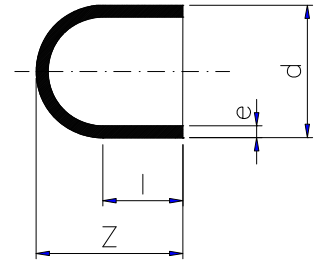
| | | d mm | Fonte / Guss DN mm | D mm | SDR 17 (S-8) e mm | Z mm | l mm | h mm |
|--|--|---------|-----------------------------|---------|-------------------------|---------|---------|---------|
| | | 90 | 65 | 125 | 5.4 | 135 | 118 | 17 |
| | | 110 | 80 | 140 | 6.6 | 137 | 119 | 18 |
| | | 125 | 100 | 158 | 7.4 | 180 | 162 | 18 |
| | | 160 | 125 | 188 | 9.5 | 180 | 162 | 18 |
| | | 200 | 150 | 216 | 11.9 | 180 | 156 | 24 |
| | | 250 | 200 | 271 | 14.8 | 270 | 245 | 25 |

| | |
|-----------------------------------|--------------|
| PE - PRESSION | |
| PE - DRUCKROHRE | |
| | |
| Collets à souder type AMRI | |
| <i>Vorschweissbünde Typ AMRI</i> | |
| | |
| Matière / Material | PE 100 |
| SDR (Série / Serie) | SDR 11 (S-5) |
| | |



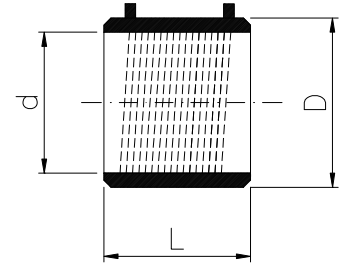
| d mm | DN mm | Z mm | l mm | h mm | d2 mm | a mm | y mm | SDR 11 (S-5) e mm |
|---------|----------|---------|---------|---------|----------|---------|---------|-------------------------|
| 63 | 50 | 120 | 80 | 14 | 52 | 102 | 0 | 5.8 |
| 75 | 65 | 125 | 85 | 16 | 61 | 122 | 0 | 6.8 |
| 90 | 80 | 140 | 95 | 17 | 78 | 136 | 0 | 8.2 |
| 110 | 100 | 140 | 95 | 18 | 98 | 158 | 0 | 10.0 |
| 125 | 100 | 175 | 120 | 25 | 102 | 158 | 0 | 11.4 |
| 125 | 125 | 175 | 120 | 25 | 122 | 158 | 8 | 11.4 |
| 160 | 150 | 180 | 120 | 25 | 151 | 212 | 12 | 14.6 |
| 180 | 150 | 175 | 125 | 30 | 151 | 212 | 0 | 16.4 |
| 200 | 200 | 180 | 115 | 32 | 204 | 268 | 33 | 18.2 |
| 225 | 200 | 180 | 115 | 32 | 200 | 268 | 12 | 20.5 |
| 250 | 250 | 270 | 195 | 35 | 254 | 320 | 46 | 22.7 |
| 315 | 300 | 380 | 310 | 35 | 302 | 370 | 44 | 28.6 |
| | | | | | | | | |
| | | | | | | | | |
| | | | | | | | | |

| | |
|--------------------------------|------------------------------|
| PE - PRESSION | |
| PE - DRUCKROHRE | |
| | |
| Bouchons à souder | |
| <i>Endkappen zum Schweißen</i> | |
| | |
| Matière / Material | PE 100 |
| SDR (Série / Serie) | SDR 17 (S-8) SDR 11 (S-5) |
| | |



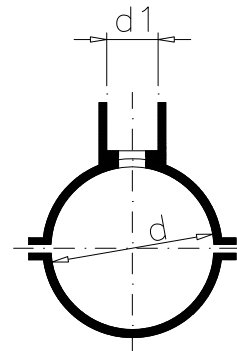
| | | | | d mm | Z mm | l mm | SDR 11 (S-5) e mm | SDR 17 (S-8) e mm |
|--|--|--|--|---------|---------|---------|-------------------------|-------------------------|
| | | | | 32 | 54 | 45 | 3.0 | |
| | | | | 40 | 61 | 50 | 3.7 | |
| | | | | 50 | 71 | 57 | 4.6 | |
| | | | | 63 | 84 | 68 | 5.8 | |
| | | | | 75 | 91 | 75 | 6.8 | 4.3 |
| | | | | 90 | 107 | 84 | 8.2 | 5.4 |
| | | | | 110 | 124 | 94 | 10.0 | 6.6 |
| | | | | 125 | 132 | 100 | 11.4 | 7.4 |
| | | | | 160 | 154.5 | 109.5 | 14.6 | 9.5 |
| | | | | 180 | 194.5 | 141.5 | 16.4 | 10.7 |
| | | | | 200 | 181.5 | 127 | 18.2 | 11.9 |
| | | | | 225 | 211.5 | 141.5 | 20.5 | 13.4 |
| | | | | 250 | 230 | 152 | 22.8 | 14.2 |
| | | | | 315 | 262 | 167 | 28.7 | 17.9 |
| | | | | | | | | |
| | | | | | | | | |
| | | | | | | | | |

| | |
|--|--------------|
| PE - PRESSION | |
| PE - DRUCKROHRE | |
| | |
| Manchons électrosoudables | |
| <i>Elektro - Schweissmuffen</i> | |
| | |
| Matière / Material | PE 100 |
| SDR (Série / Serie) | SDR 11 (S-5) |
| | |



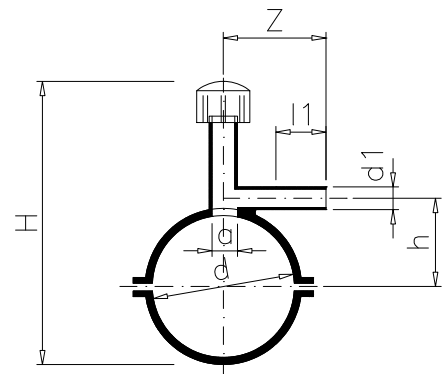
| | | | | | | d mm | D mm | L mm |
|--|--|--|--|--|--|---------|---------|---------|
| | | | | | | 25 | 36 | 68 |
| | | | | | | 32 | 44 | 72 |
| | | | | | | 40 | 54 | 80 |
| | | | | | | 50 | 66 | 88 |
| | | | | | | 63 | 81 | 96 |
| | | | | | | 75 | 96 | 110 |
| | | | | | | 90 | 113 | 125 |
| | | | | | | 110 | 138 | 145 |
| | | | | | | 125 | 155 | 158 |
| | | | | | | 160 | 197 | 180 |
| | | | | | | 180 | 220 | 194 |
| | | | | | | 200 | 245 | 208 |
| | | | | | | 225 | 276 | 224 |
| | | | | | | 250 | 325 | 225 |
| | | | | | | 315 | 405 | 225 |

| | |
|---------------------------------|--------------|
| PE - PRESSION | |
| PE - DRUCKROHRE | |
| | |
| Colliers de prise simple | |
| <i>Stutzenschellen</i> | |
| | |
| Matière / Material | PE 100 |
| SDR (Série / Serie) | SDR 11 (S-5) |
| | |



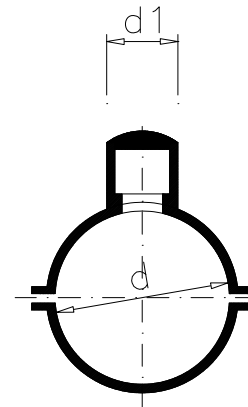
| | | | | | | d mm | d1 mm | L |
|--|--|--|--|--|--|---------|----------|-----|
| | | | | | | 63 | 63 | 165 |
| | | | | | | 75 | 63 | 165 |
| | | | | | | 90 | 63 | 165 |
| | | | | | | 110 | 63 | 165 |
| | | | | | | 125 | 63 | 165 |
| | | | | | | 160 | 63 | 165 |
| | | | | | | 180 | 63 | 165 |
| | | | | | | 200 | 63 | 165 |
| | | | | | | 225 | 63 | 165 |
| | | | | | | 250 | 63 | 165 |
| | | | | | | | | |
| | | | | | | | | |
| | | | | | | | | |
| | | | | | | | | |
| | | | | | | | | |

| | |
|------------------------------------|--------------|
| PE - PRESSION | |
| PE - DRUCKROHRE | |
| | |
| Colliers de prise en charge | |
| Anbohrschellen | |
| | |
| Matière / Material | PE 100 |
| SDR (Série / Serie) | SDR 11 (S-5) |



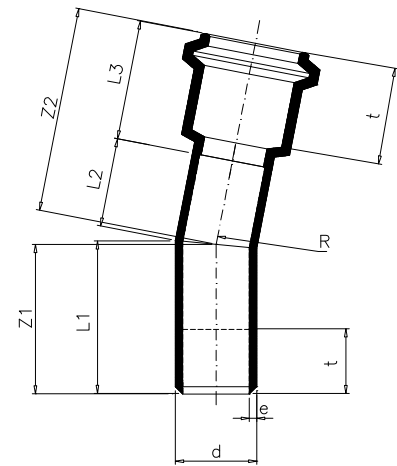
| | | d mm | d1 mm | Z | h | H mm | l1 mm | a mm |
|--|--|---------|----------|-----|-----|---------|----------|---------|
| | | 63 | 32 | 130 | 108 | 186 | 76 | 32 |
| | | | 63 | 160 | 112 | 134 | 100 | 32 |
| | | 75 | 32 | 130 | 113 | 191 | 76 | 32 |
| | | | 63 | 160 | 118 | 240 | 100 | 32 |
| | | 90 | 32 | 130 | 121 | 199 | 76 | 32 |
| | | | 63 | 160 | 126 | 248 | 100 | 32 |
| | | 110 | 32 | 130 | 131 | 209 | 76 | 32 |
| | | | 63 | 160 | 136 | 258 | 100 | 41 |
| | | 125 | 32 | 130 | 138 | 216 | 76 | 32 |
| | | | 63 | 160 | 143 | 256 | 100 | 41 |
| | | 160 | 32 | 130 | 156 | 243 | 76 | 32 |
| | | | 63 | 160 | 161 | 283 | 100 | 41 |
| | | 180 | 32 | 130 | 166 | 244 | 76 | 32 |
| | | | 63 | 160 | 171 | 293 | 100 | 41 |
| | | 200 | 32 | 130 | 176 | 254 | 76 | 32 |
| | | | 63 | 160 | 181 | 303 | 100 | 41 |
| | | 225 | 32 | 130 | 188 | 266 | 76 | 32 |
| | | | 63 | 160 | 193 | 315 | 100 | 41 |
| | | 250 | 32 | 130 | 201 | 279 | 76 | 32 |
| | | | 63 | 160 | 206 | 328 | 100 | 41 |

| | |
|---------------------------------|--------------|
| PE - PRESSION | |
| PE - DRUCKROHRE | |
| | |
| Colliers de réparation | |
| <i>Reparaturschellen</i> | |
| | |
| Matière / Material | PE 100 |
| SDR (Série / Serie) | SDR 11 (S-5) |
| | |
| Electrosoudable | |
| Für Elektroschweissung | |



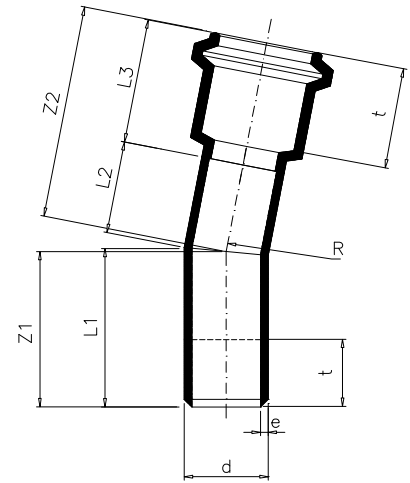
| | | | | | | d mm | d1 mm | L mm |
|--|--|--|--|--|--|---------|----------|---------|
| | | | | | | 40 | 63 | 165 |
| | | | | | | 63 | 63 | 165 |
| | | | | | | 75 | 63 | 165 |
| | | | | | | 90 | 63 | 165 |
| | | | | | | 110 | 63 | 165 |
| | | | | | | 125 | 63 | 165 |
| | | | | | | 160 | 63 | 165 |
| | | | | | | 180 | 63 | 165 |
| | | | | | | 200 | 63 | 165 |
| | | | | | | 225 | 63 | 165 |
| | | | | | | 250 | 63 | 165 |
| | | | | | | | | |
| | | | | | | | | |
| | | | | | | | | |
| | | | | | | | | |
| | | | | | | | | |

| | |
|-----------------------|--------------|
| PE - PRESSION | |
| PE - DRUCKROHRE | |
| Coudes avec 1 manchon | 11° |
| <i>Muffenbogen</i> | 11° |
| Matière / Material | PE 100 |
| SDR (Série / Serie) | SDR 11 (S-5) |
| MK-KS | |



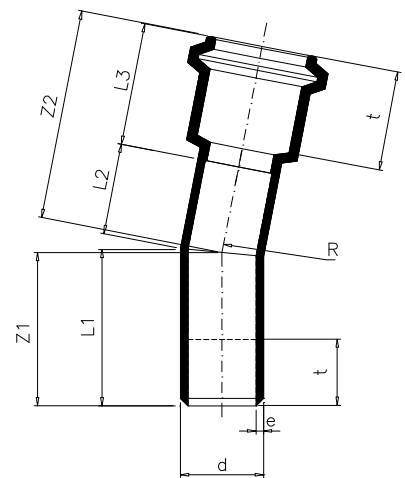
| | d mm | R mm | Z1 mm | Z2 mm | L1 mm | L2 mm | L3 mm | t mm |
|--|---------|---------|----------|----------|----------|----------|----------|---------|
| | 110 | 165 | 255 | 245 | 260 | 0 | 250 | 208 |
| | 125 | 188 | 264 | 244 | 270 | 0 | 250 | 210 |
| | 160 | 240 | 272 | 377 | 280 | 135 | 250 | 220 |
| | 200 | 300 | 280 | 435 | 290 | 155 | 290 | 235 |
| | | | | | | | | |
| | | | | | | | | |
| | | | | | | | | |
| | | | | | | | | |
| | | | | | | | | |
| | | | | | | | | |
| | | | | | | | | |
| | | | | | | | | |
| | | | | | | | | |
| | | | | | | | | |
| | | | | | | | | |
| | | | | | | | | |
| | | | | | | | | |

| | |
|------------------------------|--------------|
| PE - PRESSION | |
| PE - DRUCKROHRE | |
| | |
| Coudes avec 1 manchon | 15° |
| Muffenbogen | 15° |
| | |
| Matière / Material | PE 100 |
| SDR (Série / Serie) | SDR 11 (S-5) |
| | |
| | |
| MK-KS | |



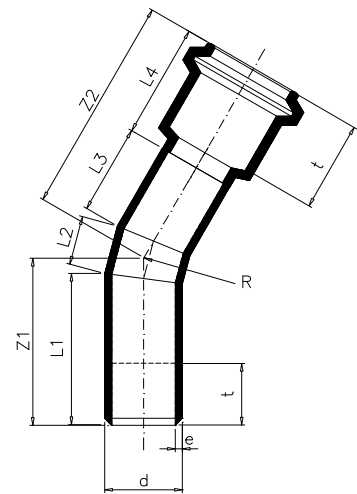
| | d mm | R mm | Z1 mm | Z2 mm | L1 mm | L2 mm | L3 mm | t mm |
|--|---------|---------|----------|----------|----------|----------|----------|---------|
| | 110 | 165 | 253 | 243 | 260 | 0 | 250 | 208 |
| | 125 | 188 | 262 | 242 | 270 | 0 | 250 | 210 |
| | 160 | 240 | 269 | 374 | 280 | 135 | 250 | 220 |
| | 200 | 300 | 277 | 432 | 290 | 155 | 290 | 235 |
| | | | | | | | | |
| | | | | | | | | |
| | | | | | | | | |
| | | | | | | | | |
| | | | | | | | | |
| | | | | | | | | |
| | | | | | | | | |
| | | | | | | | | |
| | | | | | | | | |
| | | | | | | | | |
| | | | | | | | | |
| | | | | | | | | |

| | |
|------------------------------|--------------|
| PE - PRESSION | |
| PE - DRUCKROHRE | |
| Coudes avec 1 manchon | 22° |
| Muffenbogen | 22° |
| Matière / Material | PE 100 |
| SDR (Série / Serie) | SDR 11 (S-5) |
| | |
| MK-KS | |



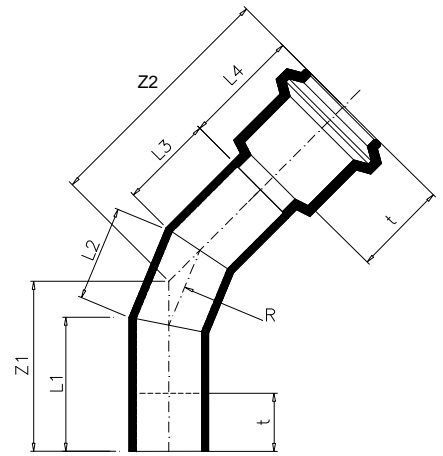
| | d mm | R mm | Z1 mm | Z2 mm | L1 mm | L2 mm | L3 mm | t mm |
|--|---------|---------|----------|----------|----------|----------|----------|---------|
| | 110 | 165 | 249 | 239 | 260 | 0 | 250 | 208 |
| | 125 | 188 | 258 | 238 | 270 | 0 | 250 | 210 |
| | 160 | 240 | 264 | 369 | 280 | 135 | 250 | 220 |
| | 200 | 300 | 271 | 426 | 290 | 155 | 290 | 235 |
| | | | | | | | | |
| | | | | | | | | |
| | | | | | | | | |
| | | | | | | | | |
| | | | | | | | | |
| | | | | | | | | |
| | | | | | | | | |
| | | | | | | | | |
| | | | | | | | | |
| | | | | | | | | |
| | | | | | | | | |
| | | | | | | | | |
| | | | | | | | | |
| | | | | | | | | |
| | | | | | | | | |
| | | | | | | | | |
| | | | | | | | | |
| | | | | | | | | |

| | |
|------------------------------|--------------|
| PE - PRESSION | |
| PE - DRUCKROHRE | |
| Coudes avec 1 manchon | 30° |
| <i>Muffenbogen</i> | 30° |
| <i>Matière / Material</i> | PE 100 |
| <i>SDR (Série / Serie)</i> | SDR 11 (S-5) |
| | |
| MK-KS | |



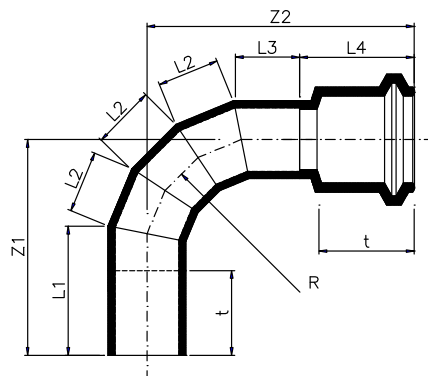
| d mm | R mm | Z1 mm | Z2 mm | L1 mm | L2 mm | L3 mm | L4 mm | t mm |
|---------|---------|----------|----------|----------|----------|----------|----------|---------|
| 110 | 364 | 302 | 292 | 260 | 110 | 0 | 250 | 208 |
| 125 | 375 | 313 | 293 | 270 | 115 | 0 | 250 | 210 |
| 160 | 734 | 329 | 434 | 280 | 135 | 135 | 250 | 220 |
| 200 | 508 | 361 | 501 | 305 | 160 | 155 | 290 | 235 |
| | | | | | | | | |
| | | | | | | | | |
| | | | | | | | | |
| | | | | | | | | |
| | | | | | | | | |
| | | | | | | | | |
| | | | | | | | | |
| | | | | | | | | |
| | | | | | | | | |
| | | | | | | | | |
| | | | | | | | | |

| | |
|------------------------------|--------------|
| PE - PRESSION | |
| PE - DRUCKROHRE | |
| | |
| Coudes avec 1 manchon | 45° |
| Muffenbogen | 45° |
| | |
| Matière / Material | PE 100 |
| SDR (Série / Serie) | SDR 11 (S-5) |
| | |
| | |
| MK-KS | |



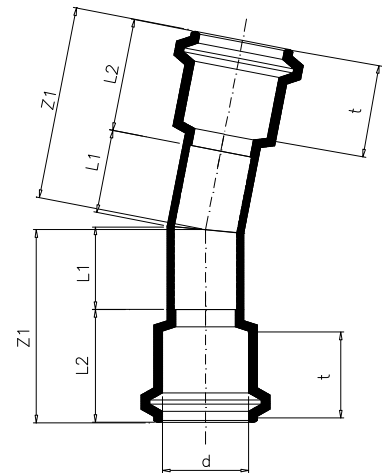
| d mm | R mm | Z1 mm | Z2 mm | L1 mm | L2 mm | L3 mm | L4 mm | t mm |
|---------|---------|----------|----------|----------|----------|----------|----------|---------|
| 110 | 210 | 294 | 140 | 260 | 105 | 0 | 250 | 208 |
| 125 | 226 | 306 | 151 | 270 | 115 | 0 | 250 | 210 |
| 160 | 260 | 320 | 310 | 280 | 135 | 135 | 250 | 220 |
| 200 | 300 | 350 | 359 | 290 | 159 | 155 | 290 | 235 |
| | | | | | | | | |
| | | | | | | | | |
| | | | | | | | | |
| | | | | | | | | |
| | | | | | | | | |
| | | | | | | | | |
| | | | | | | | | |
| | | | | | | | | |
| | | | | | | | | |
| | | | | | | | | |
| | | | | | | | | |
| | | | | | | | | |
| | | | | | | | | |
| | | | | | | | | |
| | | | | | | | | |
| | | | | | | | | |
| | | | | | | | | |
| | | | | | | | | |
| | | | | | | | | |

| | |
|------------------------------|--------------|
| PE - PRESSION | |
| PE - DRUCKROHRE | |
| | |
| Coudes avec 1 manchon | 90° |
| Muffenbogen | 90° |
| | |
| Matière / Material | PE 100 |
| SDR (Série / Serie) | SDR 11 (S-5) |
| | |
| | |
| MK-KS | |



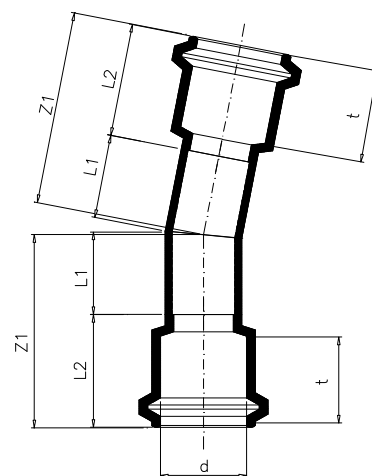
| d mm | R mm | Z1 mm | Z2 mm | L1 mm | L2 mm | L3 mm | L4 mm | t mm |
|---------|---------|----------|----------|----------|----------|----------|----------|---------|
| 110 | 210 | 417 | 407 | 260 | 105 | 0 | 250 | 208 |
| 125 | 226 | 439 | 419 | 270 | 115 | 0 | 250 | 210 |
| 160 | 260 | 472 | 577 | 280 | 135 | 135 | 250 | 220 |
| 200 | 300 | 525 | 665 | 305 | 159 | 155 | 290 | 235 |
| | | | | | | | | |
| | | | | | | | | |
| | | | | | | | | |
| | | | | | | | | |
| | | | | | | | | |
| | | | | | | | | |
| | | | | | | | | |
| | | | | | | | | |
| | | | | | | | | |
| | | | | | | | | |
| | | | | | | | | |
| | | | | | | | | |
| | | | | | | | | |

| | |
|---------------------------------|--------------|
| PE - PRESSION | |
| PE - DRUCKROHRE | |
| | |
| Coudes avec 2 manchons | 11° |
| <i>Doppelmuffenbogen</i> | 11° |
| | |
| Matière / Material | PE 100 |
| SDR (Série / Serie) | SDR 11 (S-5) |
| | |
| | |
| MMK-KS | |



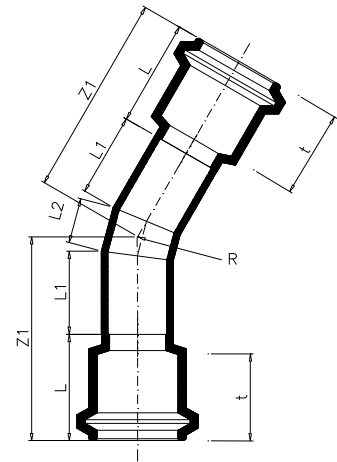
| | | | d mm | R mm | Z1 mm | L1 mm | L2 mm | t mm |
|--|--|--|---------|---------|----------|----------|----------|---------|
| | | | 110 | 165 | 357 | 112 | 250 | 208 |
| | | | 125 | 188 | 373 | 129 | 250 | 210 |
| | | | 160 | 240 | 405 | 163 | 250 | 220 |
| | | | 200 | 300 | 445 | 165 | 290 | 235 |
| | | | | | | | | |
| | | | | | | | | |
| | | | | | | | | |
| | | | | | | | | |
| | | | | | | | | |
| | | | | | | | | |
| | | | | | | | | |
| | | | | | | | | |
| | | | | | | | | |
| | | | | | | | | |
| | | | | | | | | |
| | | | | | | | | |
| | | | | | | | | |

| | |
|---------------------------------|--------------|
| PE - PRESSION | |
| PE - DRUCKROHRE | |
| Coudes avec 2 manchons | 22° |
| <i>Doppelmuffenbogen</i> | 22° |
| Matière / Material | PE 100 |
| SDR (Série / Serie) | SDR 11 (S-5) |
| | |
| MMK-KS | |



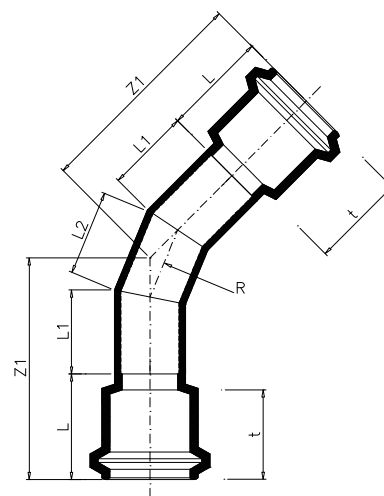
| | | | d mm | R mm | Z1 mm | L1 mm | L2 mm | t mm |
|--|--|--|---------|---------|----------|----------|----------|---------|
| | | | 110 | 165 | 357 | 118 | 250 | 208 |
| | | | 125 | 188 | 373 | 135 | 250 | 210 |
| | | | 160 | 240 | 405 | 170 | 250 | 220 |
| | | | 200 | 300 | 445 | 174 | 290 | 235 |
| | | | | | | | | |
| | | | | | | | | |
| | | | | | | | | |
| | | | | | | | | |
| | | | | | | | | |
| | | | | | | | | |
| | | | | | | | | |
| | | | | | | | | |
| | | | | | | | | |
| | | | | | | | | |
| | | | | | | | | |
| | | | | | | | | |
| | | | | | | | | |
| | | | | | | | | |
| | | | | | | | | |
| | | | | | | | | |
| | | | | | | | | |
| | | | | | | | | |
| | | | | | | | | |
| | | | | | | | | |
| | | | | | | | | |
| | | | | | | | | |
| | | | | | | | | |
| | | | | | | | | |
| | | | | | | | | |
| | | | | | | | | |
| | | | | | | | | |
| | | | | | | | | |
| | | | | | | | | |

| | |
|---------------------------------|--------------|
| PE - PRESSION | |
| PE - DRUCKROHRE | |
| | |
| Coudes avec 2 manchons | 30° |
| <i>Doppelmuffenbogen</i> | 30° |
| | |
| Matière / Material | PE 100 |
| SDR (Série / Serie) | SDR 11 (S-5) |
| | |
| | |
| MMK-KS | |



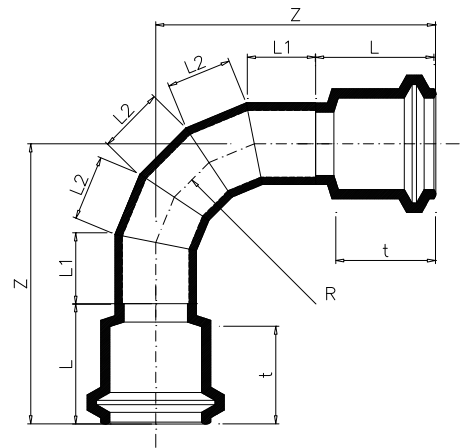
| | | d mm | R mm | Z1 mm | L mm | L1 mm | L2 mm | t mm |
|--|--|---------|---------|----------|---------|----------|----------|---------|
| | | 110 | 393 | 390 | 250 | 105 | 110 | 208 |
| | | 125 | 374 | 407 | 257 | 115 | 115 | 210 |
| | | 160 | 433 | 436 | 263 | 135 | 135 | 220 |
| | | 200 | 508 | 485 | 287 | 155 | 160 | 235 |
| | | | | | | | | |
| | | | | | | | | |
| | | | | | | | | |
| | | | | | | | | |
| | | | | | | | | |
| | | | | | | | | |
| | | | | | | | | |
| | | | | | | | | |
| | | | | | | | | |
| | | | | | | | | |
| | | | | | | | | |
| | | | | | | | | |
| | | | | | | | | |
| | | | | | | | | |

| | |
|-------------------------------|--------------|
| PE - PRESSION | |
| PE - DRUCKROHRE | |
| Coudes avec 2 manchons | 45° |
| Doppelmuffenbogen | 45° |
| Matière / Material | PE 100 |
| SDR (Série / Serie) | SDR 11 (S-5) |
| | |
| | |
| MMK-KS | |



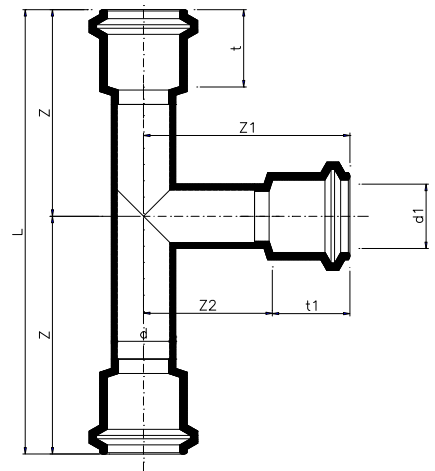
| | | d mm | R mm | Z1 mm | L mm | L1 mm | L2 mm | t mm |
|--|--|---------|---------|----------|---------|----------|----------|---------|
| | | 110 | 209 | 378 | 250 | 105 | 105 | 208 |
| | | 125 | 227 | 396 | 257 | 115 | 115 | 210 |
| | | 160 | 259 | 422 | 263 | 135 | 135 | 220 |
| | | 200 | 300 | 467 | 287 | 155 | 159 | 235 |
| | | | | | | | | |
| | | | | | | | | |
| | | | | | | | | |
| | | | | | | | | |
| | | | | | | | | |
| | | | | | | | | |
| | | | | | | | | |
| | | | | | | | | |
| | | | | | | | | |
| | | | | | | | | |
| | | | | | | | | |
| | | | | | | | | |
| | | | | | | | | |
| | | | | | | | | |
| | | | | | | | | |

| | |
|-------------------------------|--------------|
| PE - PRESSION | |
| PE - DRUCKROHRE | |
| | |
| Coudes avec 2 manchons | 90° |
| <i>Doppelmuffenbogen</i> | 90° |
| | |
| Matière / Material | PE 100 |
| SDR (Série / Serie) | SDR 11 (S-5) |
| | |
| | |
| MMI-KS | |



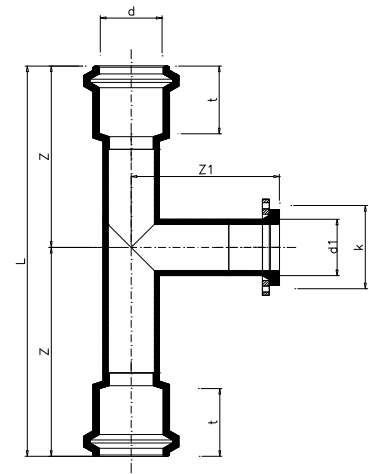
| | | d mm | R mm | Z mm | L mm | L1 mm | L2 mm | t mm |
|--|--|---------|---------|---------|---------|----------|----------|---------|
| | | 110 | 209 | 505 | 250 | 110 | 105 | 208 |
| | | 125 | 227 | 529 | 257 | 115 | 115 | 210 |
| | | 160 | 259 | 574 | 263 | 135 | 135 | 220 |
| | | 200 | 300 | 642 | 287 | 155 | 159 | 235 |
| | | | | | | | | |
| | | | | | | | | |
| | | | | | | | | |
| | | | | | | | | |
| | | | | | | | | |
| | | | | | | | | |
| | | | | | | | | |
| | | | | | | | | |
| | | | | | | | | |
| | | | | | | | | |
| | | | | | | | | |
| | | | | | | | | |

| | |
|-------------------------------------|--------------|
| PE - PRESSION | |
| PE - DRUCKROHRE | |
| | |
| Tés à 3 manchons | |
| <i>T-Stücke mit 3 Muffen</i> | |
| | |
| Matière / Material | PE 100 |
| SDR (Série / Serie) | SDR 11 (S-5) |
| | |
| MMB-KS | |



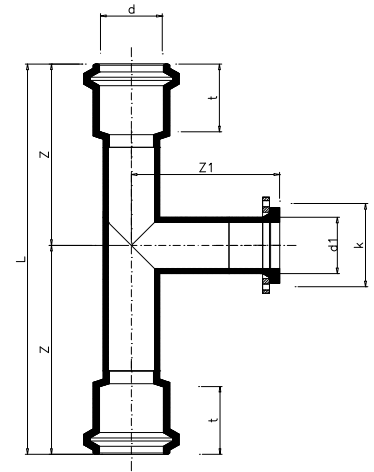
| | | d mm | d1 mm | Z mm | L mm | Z1 mm | Z2 mm | t mm |
|--|--|---------|----------|---------|---------|----------|----------|---------|
| | | 110 | 110 | 410 | 820 | 413 | 205 | 208 |
| | | 125 | 110 | 428 | 856 | 417 | 207 | 210 |
| | | | 125 | 431 | 862 | 428 | 218 | 210 |
| | | 160 | 110 | 465 | 930 | 442 | 222 | 220 |
| | | | 125 | 428 | 856 | 408 | 188 | 220 |
| | | | 160 | 473 | 946 | 470 | 250 | 220 |
| | | 200 | 110 | 483 | 966 | 407 | 172 | 235 |
| | | | 125 | 485 | 970 | 423 | 188 | 235 |
| | | | 160 | 485 | 970 | 448 | 213 | 235 |
| | | | 200 | 538 | 1076 | 535 | 300 | 235 |
| | | | | | | | | |
| | | | | | | | | |
| | | | | | | | | |
| | | | | | | | | |
| | | | | | | | | |

| | |
|--|--------------|
| PE - PRESSION | |
| PE - DRUCKROHRE | |
| | |
| Tés avec dérivation à bride | |
| <i>T-Stücke mit Flanschabgang</i> | |
| | |
| Matière / Material | PE 100 |
| SDR (Série / Serie) | SDR 11 (S-5) |
| | |
| MMA-KS | |



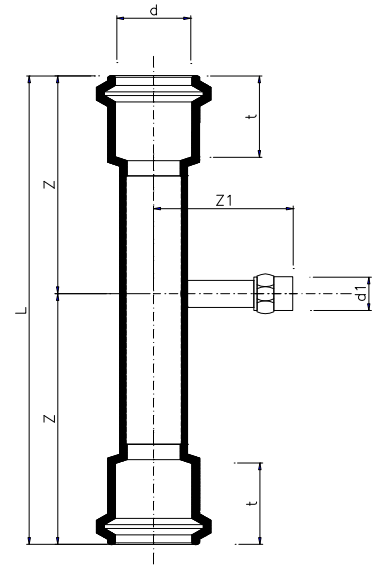
| | | d mm | d1 mm | Z mm | L mm | Z1 mm | k mm | t mm |
|--|--|---------|----------|---------|---------|----------|---------|---------|
| | | 110 | 50 | 368 | 736 | 200 | 110 | 208 |
| | | | 63 | 407 | 814 | 270 | 125 | |
| | | | 75 | 407 | 814 | 275 | 145 | |
| | | | 90 | 407 | 814 | 295 | 160 | |
| | | | 110 | 410 | 820 | 300 | 180 | |
| | | 125 | 50 | 380 | 760 | 210 | 110 | 210 |
| | | | 63 | 390 | 780 | 232 | 125 | |
| | | | 75 | 390 | 780 | 250 | 145 | |
| | | | 90 | 391 | 782 | 265 | 160 | |
| | | | 110 | 428 | 856 | 305 | 180 | |
| | | | 125 | 431 | 862 | 345 | 210 | |
| | | 160 | 50 | 420 | 840 | 290 | 110 | 220 |
| | | | 63 | 443 | 886 | 295 | 125 | |
| | | | 75 | 443 | 886 | 300 | 145 | |
| | | | 90 | 443 | 886 | 315 | 160 | |
| | | | 110 | 465 | 930 | 330 | 180 | |
| | | | 125 | 427 | 854 | 325 | 210 | |
| | | | 160 | 473 | 946 | 380 | 240 | |

| | |
|--|--------------|
| PE - PRESSION | |
| PE - DRUCKROHRE | |
| | |
| Tés avec dérivation à bride | |
| <i>T-Stücke mit Flanschabgang</i> | |
| | |
| Matière / Material | PE 100 |
| SDR (Série / Serie) | SDR 11 (S-5) |
| | |
| MMA-KS | |



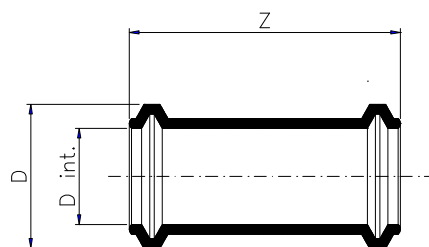
| | | d mm | d1 mm | Z mm | L mm | Z1 mm | k mm | t mm |
|--|--|---------|----------|---------|---------|----------|---------|---------|
| | | 200 | 50 | 440 | 880 | 270 | 110 | 235 |
| | | | 63 | 450 | 900 | 270 | 125 | |
| | | | 75 | 460 | 920 | 290 | 145 | |
| | | | 90 | 485 | 970 | 303 | 160 | |
| | | | 110 | 483 | 966 | 295 | 180 | |
| | | | 125 | 485 | 970 | 340 | 210 | |
| | | | 160 | 485 | 970 | 358 | 240 | |
| | | | 200 | 538 | 1075 | 425 | 295 | |
| | | | | | | | | |
| | | | | | | | | |
| | | | | | | | | |
| | | | | | | | | |
| | | | | | | | | |
| | | | | | | | | |
| | | | | | | | | |
| | | | | | | | | |
| | | | | | | | | |
| | | | | | | | | |
| | | | | | | | | |

| | |
|---|--------------|
| PE - PRESSION | |
| PE - DRUCKROHRE | |
| | |
| Tés réduits avec raccords filetés 2'' | |
| <i>T-Stücke reduziert mit Gewindeabgang 2''</i> | |
| | |
| Matière / Material | PE 100 |
| SDR (Série / Serie) | SDR 11 (S-5) |
| | |
| MMI-KS | |



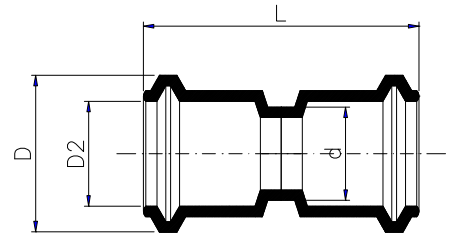
| | | d mm | d1 mm | Z mm | L mm | Z1 filetage int. <i>Innen-Gew.</i> mm | Z1 filetage ext. <i>Aussen-Gew.</i> mm | t mm |
|--|--|---------|----------|---------|---------|--|---|---------|
| | | 110 | 2'' | 407 | 814 | 215 | 241 | 208 |
| | | 125 | 2'' | 428 | 856 | 225 | 251 | 210 |
| | | 160 | 2'' | 443 | 886 | 240 | 266 | 220 |
| | | 200 | 2'' | 503 | 1006 | 255 | 281 | 235 |
| | | | | | | | | |
| | | | | | | | | |
| | | | | | | | | |
| | | | | | | | | |
| | | | | | | | | |
| | | | | | | | | |
| | | | | | | | | |
| | | | | | | | | |
| | | | | | | | | |
| | | | | | | | | |
| | | | | | | | | |

| | |
|-----------------------------|------------------------------|
| PE - PRESSION | |
| PE - DRUCKROHRE | |
| | |
| Manchons coulissants | |
| <i>Überschiebemuffen</i> | |
| | |
| Matière / Material | PE 100 |
| SDR (Série / Serie) | SDR 17 (S-8) SDR 11 (S-5) |
| | |
| U-KS | |



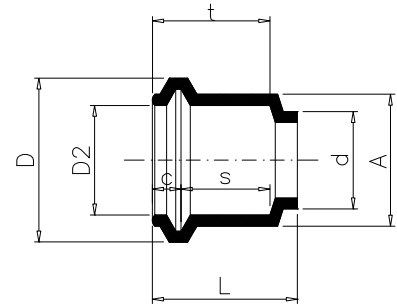
| | | | d mm | D int. mm | D mm | z mm | SDR | (Série/ Serie) |
|--|--|--|---------|--------------|---------|---------|-------|-------------------|
| | | | 90 | 91.5 | 123 | 380 | 17+11 | S-8+S-5 |
| | | | 110 | 111.6 | 153.7 | 400 | 17+11 | S-8+S-5 |
| | | | 125 | 126.8 | 171.8 | 410 | 17+11 | S-8+S-5 |
| | | | 160 | 162.3 | 204.6 | 410 | 17 | S-8 |
| | | | 200 | 202.6 | 249.6 | 420 | 17 | S-8 |
| | | | | | | | | |
| | | | | | | | | |
| | | | | | | | | |
| | | | | | | | | |
| | | | | | | | | |
| | | | | | | | | |
| | | | | | | | | |
| | | | | | | | | |
| | | | | | | | | |
| | | | | | | | | |
| | | | | | | | | |
| | | | | | | | | |
| | | | | | | | | |
| | | | | | | | | |

| | |
|-------------------------|------------------------------|
| PE - PRESSION | |
| PE - DRUCKROHRE | |
| | |
| Manchons doubles | |
| <i>Doppelmuffen</i> | |
| | |
| Matière / Material | PE 100 |
| SDR (Série / Serie) | SDR 17 (S-8) SDR 11 (S-5) |
| | |
| MM-KS | |



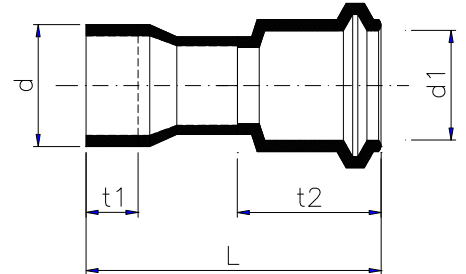
| | | | d mm | D2 mm | D mm | L mm | SDR | (Série/ Serie) |
|--|--|--|---------|----------|---------|---------|-------|-------------------|
| | | | 90 | 91.5 | 123 | 470 | 17+11 | S-8+S-5 |
| | | | 110 | 111.6 | 153.7 | 490 | 17+11 | S-8+S-5 |
| | | | 125 | 126.8 | 171.8 | 500 | 17+11 | S-8+S-5 |
| | | | 160 | 162.3 | 204.6 | 515 | 17 | S-8 |
| | | | 200 | 202.6 | 249.6 | 565 | 17 | S-8 |
| | | | | | | | | |
| | | | | | | | | |
| | | | | | | | | |
| | | | | | | | | |
| | | | | | | | | |
| | | | | | | | | |
| | | | | | | | | |
| | | | | | | | | |
| | | | | | | | | |
| | | | | | | | | |
| | | | | | | | | |
| | | | | | | | | |
| | | | | | | | | |
| | | | | | | | | |
| | | | | | | | | |
| | | | | | | | | |
| | | | | | | | | |
| | | | | | | | | |

| | |
|------------------------|------------------------------|
| PE - PRESSION | |
| PE - DRUCKROHRE | |
| | |
| Manchons | |
| Muffen | |
| | |
| Matière / Material | PE 100 |
| SDR (Série / Serie) | SDR 17 (S-8) SDR 11 (S-5) |
| | |
| | |



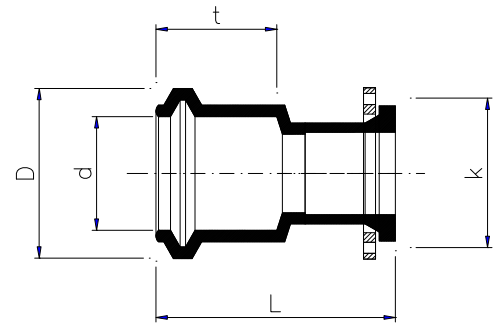
| d mm | D2 mm | D mm | A mm | L mm | c mm | s mm | t mm | SDR |
|---------|----------|---------|---------|---------|---------|---------|---------|-------|
| 63 | 64.1 | 92.2 | 78 | 227 | 42 | 140 | 182 | 17+11 |
| 75 | 76.3 | 105.0 | 91 | 233 | 43 | 145 | 188 | 17+11 |
| 90 | 91.5 | 123.0 | 109 | 240 | 42.5 | 152.5 | 195 | 17+11 |
| 110 | 111.6 | 153.7 | 134 | 250 | 43.3 | 164.7 | 208 | 17+11 |
| 125 | 126.8 | 171.8 | 153 | 257 | 45.8 | 164.2 | 210 | 17+11 |
| 140 | 142.0 | 187.8 | 165 | 240 | 49.8 | 162.2 | 212 | 17+11 |
| 160 | 163.3 | 204.6 | 184 | 263 | 45 | 175 | 220 | 17 |
| 180 | 182.5 | 229.5 | 206 | 275 | 51.6 | 170.4 | 222 | 17 |
| 200 | 202.6 | 249.6 | 228 | 287 | 52.6 | 182.4 | 235 | 17 |
| | | | | | | | | |
| | | | | | | | | |
| | | | | | | | | |
| | | | | | | | | |
| | | | | | | | | |
| | | | | | | | | |
| | | | | | | | | |

| | |
|---|--------------|
| PE - PRESSION | |
| PE - DRUCKROHRE | |
| | |
| Réductions centrées manchonnées | |
| <i>Reduktionen zentrisch mit Steckmuffe</i> | |
| | |
| Matière / Material | PE 100 |
| SDR (Série / Serie) | SDR 11 (S-5) |
| | |
| | |
| MR-KS | |



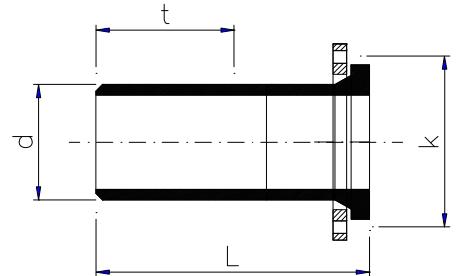
| | | | | d mm | d1 mm | L mm | t1 mm | t2 mm |
|--|--|--|--|---------|----------|---------|----------|----------|
| | | | | 125 | 110 | 525 | 225 | 250 |
| | | | | 160 | 110 | 540 | 230 | 250 |
| | | | | 160 | 125 | 540 | 230 | 257 |
| | | | | 200 | 160 | 570 | 240 | 263 |
| | | | | | | | | |
| | | | | | | | | |
| | | | | | | | | |
| | | | | | | | | |
| | | | | | | | | |
| | | | | | | | | |
| | | | | | | | | |
| | | | | | | | | |
| | | | | | | | | |
| | | | | | | | | |
| | | | | | | | | |
| | | | | | | | | |
| | | | | | | | | |
| | | | | | | | | |
| | | | | | | | | |
| | | | | | | | | |
| | | | | | | | | |

| | |
|-------------------------------------|--------------|
| PE - PRESSION | |
| PE - DRUCKROHRE | |
| | |
| Brides à emboîtement femelle | |
| <i>Flanschmuffenstücke</i> | |
| | |
| Matière / Material | PE 100 |
| SDR (Série / Serie) | SDR 11 (S-5) |
| | |
| | |
| E-KS | |



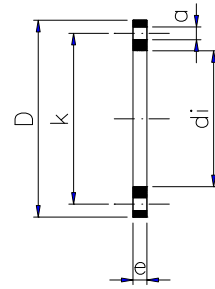
| | | | d mm | DN mm | D mm | L mm | t mm | k mm |
|--|--|--|---------|----------|---------|---------|---------|---------|
| | | | 110 | 80 | 145 | 380 | 208 | 180 |
| | | | 110 | 100 | 145 | 380 | 208 | 180 |
| | | | 125 | 100 | 169 | 430 | 210 | 210 |
| | | | 125 | 125 | 169 | 430 | 210 | 210 |
| | | | 160 | 125 | 216 | 440 | 220 | 240 |
| | | | 160 | 150 | 216 | 440 | 220 | 240 |
| | | | 200 | 150 | 270 | 460 | 235 | 295 |
| | | | 200 | 200 | 270 | 460 | 235 | 295 |
| | | | | | | | | |
| | | | | | | | | |
| | | | | | | | | |
| | | | | | | | | |
| | | | | | | | | |
| | | | | | | | | |
| | | | | | | | | |

| | |
|----------------------------------|--------------|
| PE - PRESSION | |
| PE - DRUCKROHRE | |
| | |
| Brides à emboîtement mâle | |
| <i>Einflanschstücke</i> | |
| | |
| Matière / Material | PE 100 |
| SDR (Série / Serie) | SDR 11 (S-5) |
| | |
| | |
| F-KS | |



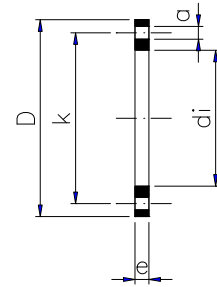
| | | | | d mm | DN mm | k mm | L mm | t mm |
|--|--|--|--|---------|----------|---------|---------|---------|
| | | | | 110 | 80 | 180 | 392 | 208 |
| | | | | 110 | 100 | 180 | 392 | 208 |
| | | | | 125 | 100 | 210 | 433 | 210 |
| | | | | 125 | 125 | 210 | 433 | 210 |
| | | | | 160 | 125 | 240 | 450 | 220 |
| | | | | 160 | 150 | 240 | 450 | 220 |
| | | | | 200 | 150 | 295 | 470 | 235 |
| | | | | 200 | 200 | 295 | 470 | 235 |
| | | | | | | | | |
| | | | | | | | | |
| | | | | | | | | |
| | | | | | | | | |
| | | | | | | | | |
| | | | | | | | | |
| | | | | | | | | |
| | | | | | | | | |

| | |
|------------------------|------------------------------|
| PE - PRESSION | |
| PE - DRUCKROHRE | |
| | |
| Brides libres | |
| Losflanschen | |
| | |
| Matière | acier zingué |
| Material | verzinkter Stahl |
| SDR (Série / Serie) | SDR 17 (S-8) SDR 11 (S-5) |
| | |
| | |



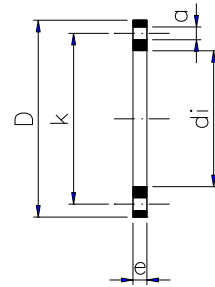
| | ø ext. mm | DN mm | PN mm | di mm | D mm | k mm | e mm | a mm |
|--|--------------|----------|----------|----------|---------|---------|---------|---------|
| | 25 | 20 | 10/16 | 34 | 105 | 75 | 14 | 4 x 14 |
| | 32 | 25 | 10/16 | 42 | 115 | 85 | 14 | 4 x 14 |
| | 40 | 32 | 10/16 | 51 | 140 | 100 | 16 | 4 x 18 |
| | 50 | 40 | 10/16 | 62 | 150 | 110 | 16 | 4 x 18 |
| | 63 | 50 | 10/16 | 78 | 165 | 125 | 18 | 4 x 18 |
| | 75 | 65 | 10/16 | 92 | 185 | 145 | 18 | 4 x 18 |
| | 90 | 80 | 10/16 | 108 | 200 | 160 | 20 | 8 x 18 |
| | 110 | 100 | 10/16 | 128 | 220 | 180 | 22 | 8 x 18 |
| | 125 | 125 | 10/16 | 135 | 250 | 210 | 24 | 8 x 18 |
| | 160 | 150 | 10/16 | 178 | 285 | 240 | 24 | 8 x 22 |
| | 180 | 150 | 10/16 | 188 | 285 | 240 | 24 | 8 x 22 |
| | 200/225 | 200 | 10 | 235 | 340 | 295 | 26 | 8 x 22 |
| | 200/225 | 200 | 16 | 235 | 340 | 295 | 26 | 12 x 22 |
| | 250 | 250 | 10 | 288 | 395 | 350 | 28 | 12 x 22 |
| | 250 | 250 | 16 | 288 | 405 | 355 | 32 | 12 x 26 |

| | |
|------------------------|------------------------------|
| PE - PRESSION | |
| PE - DRUCKROHRE | |
| | |
| Brides libres | |
| <i>Losflanschen</i> | |
| | |
| Matière | acier zingué |
| Material | verzinkter Stahl |
| SDR (Série / Serie) | SDR 17 (S-8) SDR 11 (S-5) |
| | |
| | |



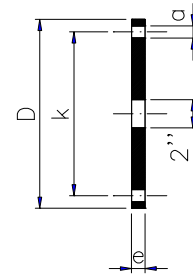
| | ø ext. mm | DN mm | PN mm | di mm | D mm | k mm | e mm | a mm |
|--|--------------|----------|----------|----------|---------|---------|---------|---------|
| | 315 | 300 | 10 | 338 | 445 | 400 | 28 | 12 x 22 |
| | 315 | 300 | 16 | 338 | 460 | 410 | 32 | 12 x 26 |
| | 355 | 350 | 10 | 377 | 505 | 460 | 30 | 16 x 22 |
| | 355 | 350 | 16 | 377 | 520 | 470 | 36 | 16 x 26 |
| | 400 | 400 | 10 | 430 | 565 | 515 | 36 | 16 x 26 |
| | 400 | 400 | 16 | 430 | 580 | 525 | 38 | 16 x 30 |
| | | | | | | | | |
| | | | | | | | | |
| | | | | | | | | |
| | | | | | | | | |
| | | | | | | | | |
| | | | | | | | | |
| | | | | | | | | |
| | | | | | | | | |
| | | | | | | | | |
| | | | | | | | | |
| | | | | | | | | |
| | | | | | | | | |

| | |
|---|------------------------------|
| PE - PRESSION | |
| PE - DRUCKROHRE | |
| | |
| Brides libres pour collets réduits | |
| <i>Losflanschen für reduzierte Bunde</i> | |
| | |
| Matière | acier zingué |
| Material | verzinkter Stahl |
| SDR (Série / Serie) | SDR 17 (S-8) SDR 11 (S-5) |
| | |
| | |



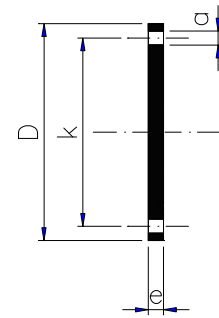
| | | d mm | DN fonte <i>DN Guss</i> mm | D mm | k mm | di mm | a mm | e mm |
|--|--|-------------------|----------------------------------|---------|---------|----------|------------|---------|
| | | 90 | 65 | 185 | 145 | 93 | 4 x 18 | 16 |
| | | 110 | 80 | 200 | 160 | 113 | 8 x 18 | 18 |
| | | 125 | 100 | 220 | 180 | 128 | 8 x 18 | 18 |
| | | 140 | 125 | 250 | 210 | 157 | 8 x 18 | 18 |
| | | 160 | 125 | 250 | 210 | 163 | 8 x 18 | 18 |
| | | 180 | 150 | 285 | 240 | 185 | 8 x 22 | 20 |
| | | 200 | 150 | 285 | 240 | 203 | 8 x 22 | 20 |
| | | 225 | 200 | 340 | 295 | 235 | 8/12* x 22 | 24 |
| | | 250 | 200* | 340 | 295 | 253 | 8/12* x 22 | 24 |
| | | | | | | | | |
| | | | | | | | | |
| | | * PN 16, 12 trous | | | | | | |
| | | | | | | | | |
| | | | | | | | | |
| | | | | | | | | |

| | |
|--------------------------------|------------------------------|
| PE - PRESSION | |
| PE - DRUCKROHRE | |
| | |
| Brides filetées | |
| <i>Gewindeflanschen</i> | |
| | |
| Matière | Fonte plastifiée |
| Material | Guss mit Kunststoffschicht |
| SDR (Série / Serie) | SDR 17 (S-8) SDR 11 (S-5) |
| | |
| | |



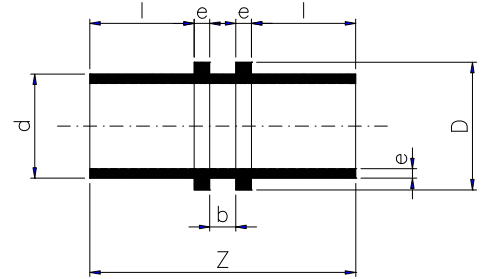
| | | d mm | DN fonte <i>DN Guss</i> mm | PN mm | D mm | k mm | a mm | e mm |
|--|--|---------|----------------------------------|----------|---------|---------|---------|---------|
| | | 63 | 50 | 10/16 | 165 | 125 | 4 x 18 | 18 |
| | | 75 | 65 | 10/16 | 185 | 145 | 4 x 18 | 18 |
| | | 90 | 80 | 10/16 | 200 | 160 | 8 x 18 | 20 |
| | | 110 | 100 | 10/16 | 220 | 180 | 8 x 18 | 22 |
| | | 125 | 125 | 10/16 | 250 | 210 | 8 x 18 | 24 |
| | | 160/180 | 150 | 10/16 | 285 | 240 | 8 x 22 | 24 |
| | | 200/225 | 200 | 16 | 340 | 295 | 12 x 22 | 26 |
| | | 200/225 | 200 | 10 | 340 | 295 | 8 x 22 | 26 |
| | | 250 | 250 | 10 | 395 | 350 | 12 x 22 | 28 |
| | | 315 | 300 | 10 | 445 | 400 | 12 x 22 | 28 |
| | | 355 | 350 | 10 | 505 | 460 | 12 x 22 | 30 |
| | | 400 | 400 | 10 | 565 | 515 | 16 x 26 | 32 |
| | | | | | | | | |
| | | | | | | | | |
| | | | | | | | | |

| | |
|------------------------------|------------------------------|
| PE - PRESSION | |
| PE - DRUCKROHRE | |
| | |
| Brides pleines | |
| <i>Blindflanschen</i> | |
| | |
| Matière | Fonte plastifiée |
| Material | Guss mit Kunststoffschicht |
| SDR (Série / Serie) | SDR 17 (S-8) SDR 11 (S-5) |
| | |
| | |



| | | d mm | DN fonte DN Guss mm | PN mm | D mm | k mm | a mm | e mm |
|--|--|---------|---------------------------|----------|---------|---------|---------|---------|
| | | 63 | 50 | 10/16 | 165 | 125 | 4 x 18 | 18 |
| | | 75 | 65 | 10/16 | 185 | 145 | 4 x 18 | 18 |
| | | 90 | 80 | 10/16 | 200 | 160 | 8 x 18 | 20 |
| | | 110 | 100 | 10/16 | 220 | 180 | 8 x 18 | 22 |
| | | 125 | 125 | 10/16 | 250 | 210 | 8 x 18 | 24 |
| | | 160/180 | 150 | 10/16 | 285 | 240 | 8 x 22 | 24 |
| | | 200/225 | 200 | 16 | 340 | 295 | 12 x 22 | 26 |
| | | 200/225 | 200 | 10 | 340 | 295 | 8 x 22 | 28 |
| | | 250 | 250 | 10 | 395 | 350 | 12 x 22 | 28 |
| | | 315 | 300 | 10 | 445 | 400 | 12 x 22 | 28 |
| | | 355 | 350 | 10 | 505 | 460 | 12 x 22 | 30 |
| | | 400 | 400 | 10 | 565 | 515 | 16 x 26 | 32 |
| | | | | | | | | |
| | | | | | | | | |
| | | | | | | | | |

| | |
|------------------------|------------------------------|
| PE - PRESSION | |
| PE - DRUCKROHRE | |
| | |
| Points fixes | |
| <i>Fixpunkte</i> | |
| | |
| Matière / Material | PE 100 |
| SDR (Série / Serie) | SDR 17 (S-8) SDR 11 (S-5) |
| | |



| | | d mm | D mm | Z mm | b mm | l mm | SDR 17 (S-8) e mm | SDR 11 (S-5) e mm |
|--|--|---------|---------|---------|---------|---------|-------------------------|-------------------------|
| | | 63 | 88 | 390 | 50 | 150 | 3.8 | 5.8 |
| | | 75 | 105 | 390 | 50 | 150 | 4.5 | 6.9 |
| | | 90 | 124 | 390 | 50 | 150 | 5.4 | 8.2 |
| | | 110 | 154 | 400 | 50 | 150 | 6.6 | 10.0 |
| | | 125 | 154 | 400 | 50 | 150 | 7.4 | 11.4 |
| | | 160 | 194 | 400 | 50 | 150 | 9.5 | 14.6 |
| | | 180 | 201 | 400 | 50 | 150 | 10.7 | 16.4 |
| | | 200 | 245 | 510 | 50 | 200 | 11.9 | 18.2 |
| | | 225 | 282 | 510 | 50 | 200 | 13.4 | 20.5 |
| | | 250 | 300 | 510 | 50 | 200 | 14.8 | 22.7 |
| | | 315 | 375 | 530 | 70 | 200 | 18.7 | 28.6 |
| | | 355 | 415 | 530 | 70 | 200 | 21.1 | 32.3 |
| | | 400 | 460 | 530 | 70 | 200 | 23.7 | 36.4 |
| | | | | | | | | |
| | | | | | | | | |
| | | | | | | | | |
| | | | | | | | | |